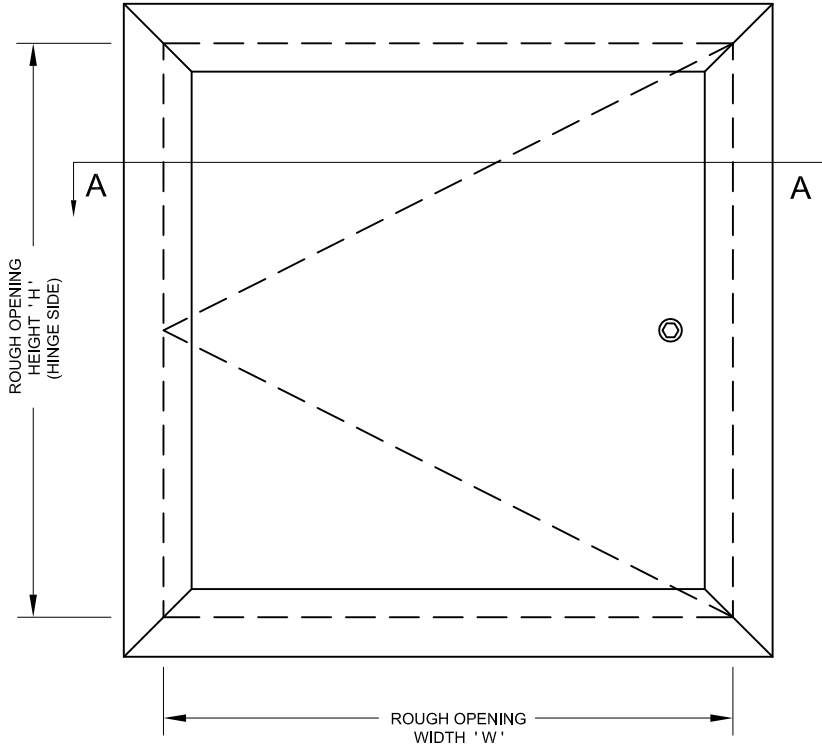


Ceiling mounted, upward opening. Three hour Fire Rating.

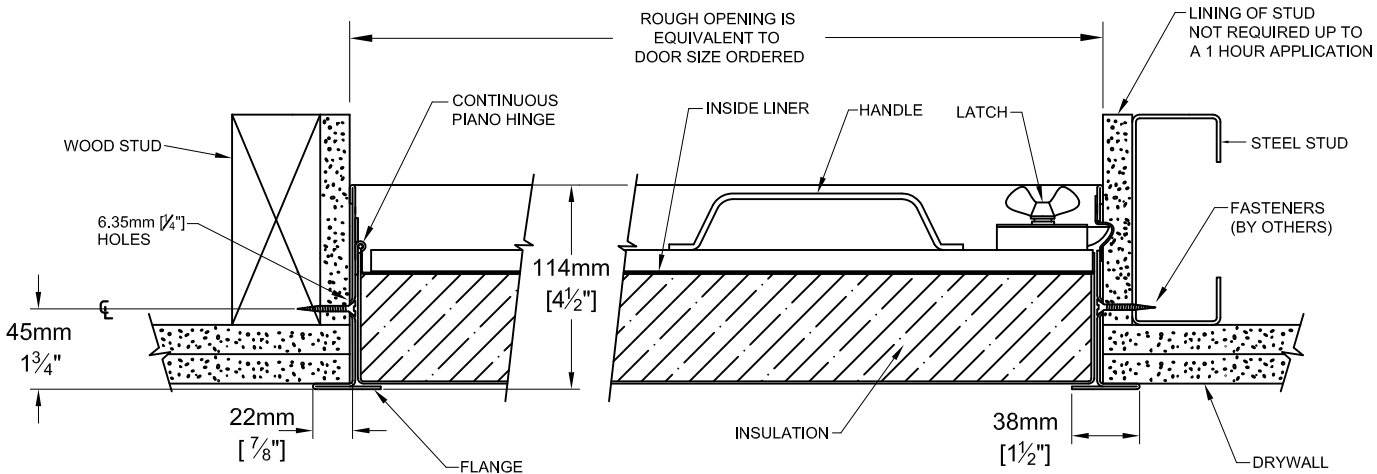


FRONT ELEVATION

STANDARD CONSTRUCTION:

- MATERIAL** - SATIN FINISH GALVANIZED (GALVANNEALED) STEEL.
- PANEL** - 1.31mm [18 ga.], SELF CLOSING c/w INSIDE LIFTING HANDLE.
- LINER** - 0.85mm [22ga.]
- FRAME** - 1.61mm [16 ga.]
- FLANGE** - 22mm [$\frac{7}{8}$ "] EXTERIOR FLANGE.
- 38mm [$1\frac{1}{2}$ "] OVERALL WIDTH.
- HINGE** - CONTINUOUS PIANO HINGE.
- PANEL CLOSER** - THE DESIGN OF THE UNIT ALLOWS THE DOOR PANEL TO BE SELF-CLOSING BY GRAVITY.
- LATCH** - $\frac{3}{4}$ " ALLEN KEY, WITH INTERIOR RELEASE.
- INSULATION** - 63mm [$2\frac{1}{2}$ "] HIGH TEMPERATURE
- FINISH** - RUST INHIBITIVE PRIME COAT (OFF-WHITE).

* Specifications subject to change without notice.



SECTION A-A


PROJECT: _____

CONTRACTOR: _____

ARCH. OR ENG.: _____

DATE: _____

These drawings are the property of Maxam Metal Products Ltd. and incorporates information which is proprietary. Publication and/or public distribution in whole or in part is expressly prohibited without the prior written consent of Maxam Metal Products Ltd. The information herein remains the property of Maxam Metal Products Ltd. All rights reserved.

DWN BY KB	DATE Feb. / 2014	DWG. NO. Sheet 1 of 3	REV. 
--------------	---------------------	--------------------------	---

INSTALLATION:

The frame is manufactured with mounting holes.
 See installation instructions supplied with panel.

ORDERING:

- PLEASE ORDER BY ROUGH OPENING SIZE.
- WHEN ORDERING THE SECOND DIMENSION GIVEN IS THE HINGE SIDE. (ie. 457mm x 610mm [18" x 24"], THE 610mm [24"] DIMENSION IS THE HINGE SIDE.
- THESE DOORS ARE NON-RETURNABLE.

STANDARD SIZES

FAI-250, single leaf construction for ceilings only

Rough Opening Size W x H		No. of Latches/ Locks	Weight in kgs.	Weight in lbs.
Metric (mm)	Inches			
406 x 406	16 x 16	1	7.71	17.00
457 x 457	18 x 18	1	9.52	21.00
457 x 610	18 x 24	1	12.02	26.50
457 x 762	18 x 30	1	14.06	31.00
457 x 914	18 x 36	1	16.69	37.25
457 x 1219	18 x 48	1	22.22	49.00
508 x 508	20 x 20	1	11.11	24.50
508 x 610	20 x 24	1	12.47	27.50
508 x 762	20 x 30	1	15.87	35.00
508 x 914	20 x 36	1	18.82	41.50
559 x 559	22 x 22	1	13.15	29.00
559 x 762	22 x 30	1	17.23	38.00
559 x 914	22 x 36	1	19.95	44.00
610 x 610	24 x 24	1	14.51	32.00
610 x 762	24 x 30	1	17.46	38.50
610 x 914	24 x 36	1	20.97	46.25
610 x 1219	24 x 48	2	27.66	61.00
762 x 762	30 x 30	1	21.31	47.00
762 x 914	30 x 36	2	24.94	55.00
762 x 1219	30 x 48	2	31.97	70.50
813 x 813	32 x 32	2	24.04	53.00
914 x 914	36 x 36	2	29.48	65.00



Net Opening = Width minus 108mm [4¼"]
 Height minus 39mm [1½"]

NOTE: Width of door cannot exceed 1219mm [48"]
 in a single leaf door.

Other sizes available, call Maxam for details.

WARRANTY:

One Year Limited warranty. For complete details see **Access Door** warranty document.

PROJECT SCHEDULE

- millimeters
 - inches

Qty	Rough Opening Size		Options
	Width	Height	




Model FAI-250 attic-ceiling fire-rated panel is manufactured under the factory inspection service of Intertek (Warnock Hersey) and has a label reading: "Listed access frame and insulated fire door assembly **3 hour fire rating. Horizontal installation only.**"

PROJECT: _____

PURCHASE ORDER: _____

CONTRACTOR: _____

APPROVED BY: _____

ARCH. OR ENG.: _____

DATE: _____

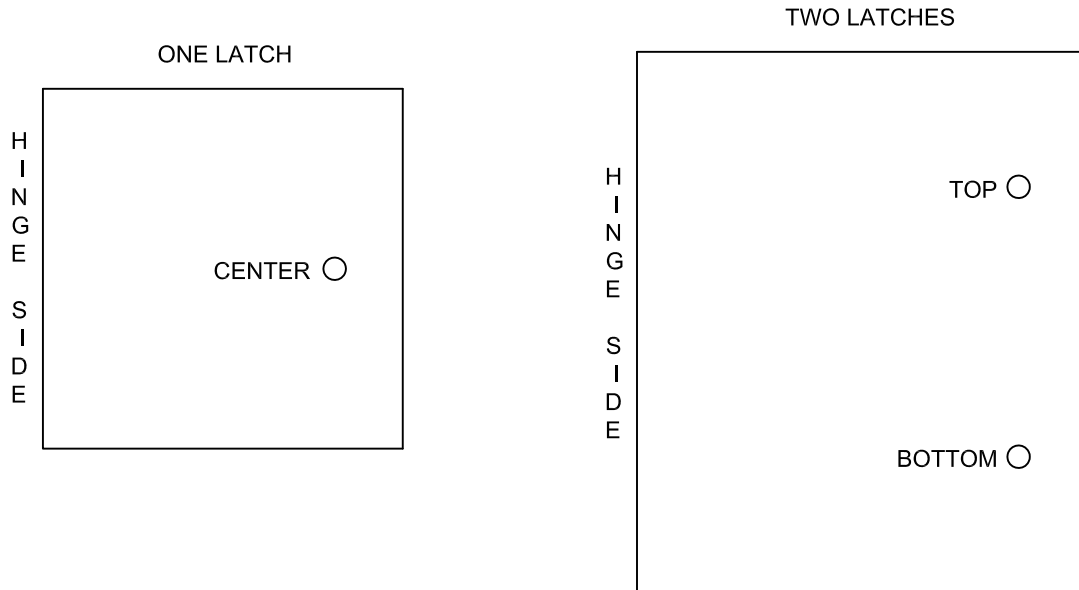
OPTIONS: * - DENOTES ADDITIONAL COST.

MATERIAL :-

- STANDARD MATERIAL - GALVANNEALED STEEL. SEE SHEET 1 OF 3.
- * - OPTIONAL MATERIAL - 304 STAINLESS STEEL WITH A NO. 4 POLISHED FINISH ON THE EXTERIOR SURFACE.
- * - MASONRY ANCHORS ATTACHED.

HARDWARE :-

- STANDARD HARDWARE - 1/4" ALLEN KEY. SEE SHEET 1 OF 3.
- OPTIONAL HARDWARE



CENTER LATCH

TOP LATCH

BOTTOM LATCH

- | | | |
|---|---|---|
| <ul style="list-style-type: none"> <input type="checkbox"/> - ALLEN KEY <input type="checkbox"/> - RAISED KNURLED KNOB. * <input type="checkbox"/> - NON-LOCKING HANDLE. * <input type="checkbox"/> - 1/8" MORTISE PREP ONLY. * <input type="checkbox"/> - 1/8" MORTISE PREP COMPLETE WITH MORTISE CYLINDER. | <ul style="list-style-type: none"> <input type="checkbox"/> - ALLEN KEY <input type="checkbox"/> - RAISED KNURLED KNOB. * <input type="checkbox"/> - NON-LOCKING HANDLE. * <input type="checkbox"/> - 1/8" MORTISE PREP ONLY. * <input type="checkbox"/> - 1/8" MORTISE PREP COMPLETE WITH MORTISE CYLINDER. | <ul style="list-style-type: none"> <input type="checkbox"/> - ALLEN KEY <input type="checkbox"/> - RAISED KNURLED KNOB. * <input type="checkbox"/> - NON-LOCKING HANDLE. * <input type="checkbox"/> - 1/8" MORTISE PREP ONLY. * <input type="checkbox"/> - 1/8" MORTISE PREP COMPLETE WITH MORTISE CYLINDER. |
|---|---|---|

PROJECT: _____

PURCHASE ORDER: _____

CONTRACTOR: _____

APPROVED BY: _____

ARCH. OR ENG.: _____

DATE: _____