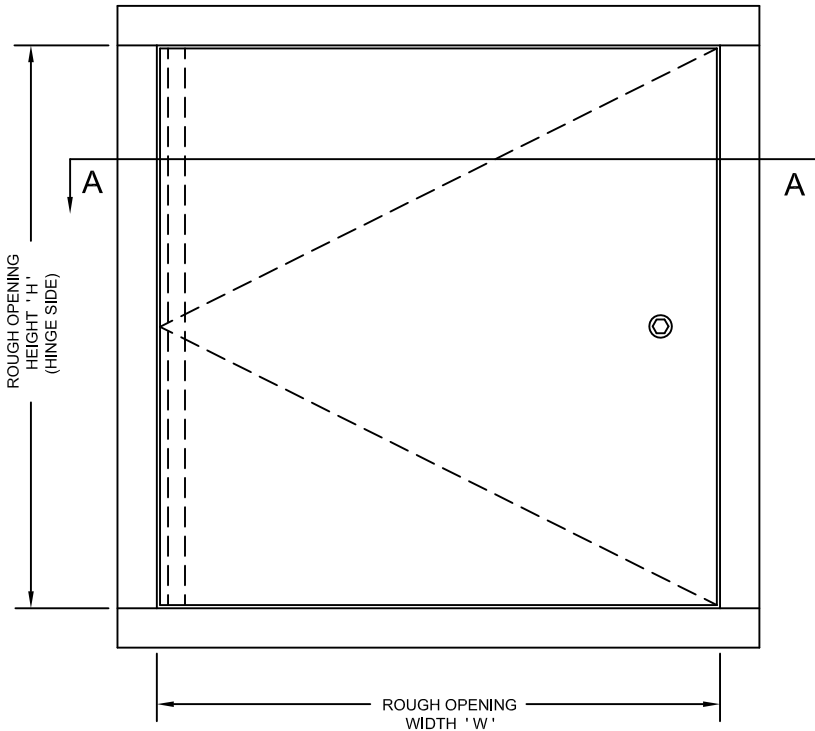


Designed for use in a wall or ceiling application where control of temperature rise and heat transmission is required.

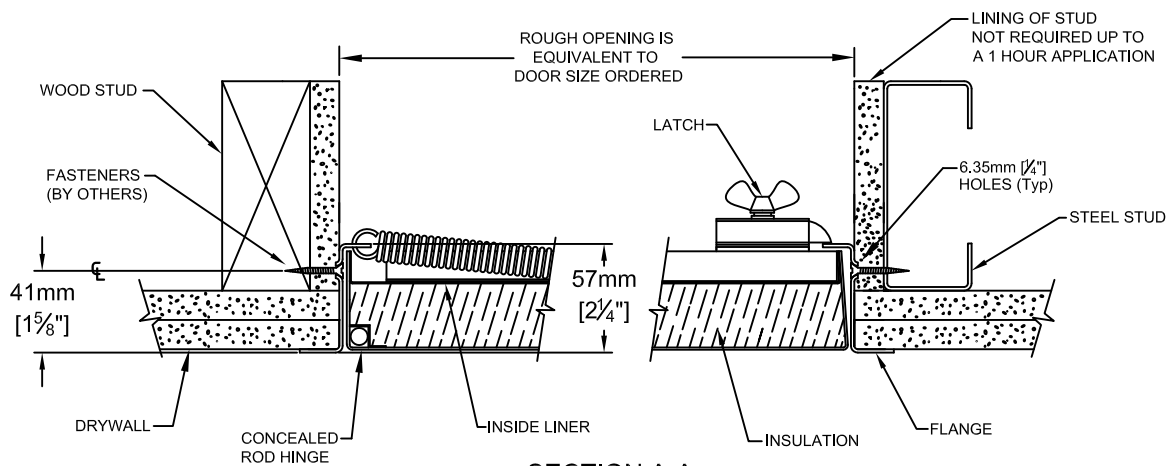


FRONT ELEVATION

STANDARD CONSTRUCTION:

- MATERIAL** - SATIN FINISH GALVANIZED (GALVANNEALED) STEEL.
- PANEL** - 1.31mm [18 ga].
- LINER** - 0.85mm [22ga].
- FRAME** - 1.61mm [16 ga] UP TO 762mm x 1219mm [30" x 48"]. LARGER SIZES: 1.99mm [14ga].
- FLANGE** - 22mm [$\frac{7}{8}$ "] EXTERIOR FLANGE UP TO AND INCLUDING 914mm x 914mm [36" x 36"]. LARGER SIZES: 32mm [1 $\frac{1}{4}$ ".
- HINGE** - CONTINUOUS ROD HINGE. PIANO HINGE STANDARD ON PANELS EXCEEDING 1219mm [48"] IN A WALL POSITION.
- LATCH** - $\frac{1}{4}$ " ALLEN KEY, WITH INTERIOR RELEASE.
- INSULATION** - 38mm [1 $\frac{1}{2}$ "] HIGH TEMPERATURE
- FINISH** - RUST INHIBITIVE PRIME COAT (OFF-WHITE).

* Specifications subject to change without notice.



SECTION A-A


PROJECT: _____

CONTRACTOR: _____

ARCH. OR ENG.: _____

DATE: _____

These drawings are the property of Maxam Metal Products Ltd. and incorporates information which is proprietary. Publication and/or public distribution in whole or in part is expressly prohibited without the prior written consent of Maxam Metal Products Ltd. The information herein remains the property of Maxam Metal Products Ltd. All rights reserved.

DWN BY KB	DATE Feb. / 2014	DWG. NO. Sheet 1 of 3	REV. 
--------------	---------------------	--------------------------	---

STANDARD SIZES
FCI-150, single leaf construction for walls & ceilings.

In Stock	Rough Opening Size W x H		No. of Latches/Locks	Weight in kgs.	Weight in lbs.
	Metric (mm)	Inches			
	203 x 152	8 x 6	1	2.27	6.00
■	203 x 203	8 x 8	1	3.17	7.00
■	254 x 254	10 x 10	1	4.08	9.00
	305 x 203	12 x 8	1	4.08	9.00
■	305 x 305	12 x 12	1	4.98	11.00
■	305 x 406	12 x 16	1	6.35	14.00
■	305 x 457	12 x 18	1	6.80	15.00
■	305 x 610	12 x 24	1	8.61	19.00
■	356 x 356	14 x 14	1	6.35	14.00
■	406 x 406	16 x 16	1	7.71	17.00
	406 x 610	16 x 24	1	10.43	23.00
■	457 x 457	18 x 18	1	9.07	20.00
■	457 x 610	18 x 24	1	11.34	25.00
	457 x 762	18 x 30	1	13.15	29.00
	457 x 914	18 x 36	1	15.87	35.00
	457 x 1219	18 x 48	1	20.41	45.00
■	508 x 508	20 x 20	1	10.43	23.00
	508 x 610	20 x 24	1	11.79	26.00
	508 x 762	20 x 30	1	14.51	32.00
	508 x 914	20 x 36	1	17.23	38.00
■	559 x 559	22 x 22	1	12.24	27.00
■	559 x 762	22 x 30	1	15.42	34.00
■	559 x 914	22 x 36	1	18.59	41.00
■	610 x 610	24 x 24	1	13.60	30.00
■	610 x 762	24 x 30	1	16.32	36.00
■	610 x 914	24 x 36	1	19.50	43.00
	610 x 1219	24 x 48	2	24.94	55.00
■	762 x 762	30 x 30	1	19.50	43.00
■	762 x 914	30 x 36	2	23.13	51.00
	762 x 1219	30 x 48	2	29.93	66.00
	813 x 813	32 x 32	2	22.22	49.00
■	914 x 914	36 x 36	2	27.21	60.00

FCI-150, single leaf construction for walls only.

	914 x 1219	36 x 48	2	34.92	77.00
	914 x 1524	36 x 60	2	43.99	97.00
	1016 x 1016	40 x 40	2	32.65	72.00
	1016 x 1219	40 x 48	2	38.10	84.00
	1016 x 1524	40 x 60	2	47.62	105.00
	1219 x 1219	48 x 48	2	44.45	98.00
	1219 x 1524	48 x 60	2	55.33	122.00



Net Opening = **Width** minus 77mm [3"]
Height minus 39mm [1½"]

PROJECT: _____

CONTRACTOR: _____

ARCH. OR ENG.: _____

DATE: _____

INSTALLATION:

The frame is manufactured with mounting holes. Factory installed anchor straps are available for masonry, upon request. See installation instructions supplied with panel.

ORDERING:

- WHEN ORDERING, PLEASE SPECIFY WALL OR CEILING APPLICATION.
- PLEASE ORDER BY ROUGH OPENING SIZE.
- WHEN ORDERING THE SECOND DIMENSION GIVEN IS THE HINGE SIDE. (ie. 457mm x 610mm [18" x 24"], THE 610mm [24"] DIMENSION IS THE HINGE SIDE.
- THESE DOORS ARE NON-RETURNABLE.

WARRANTY:

One Year Limited warranty. For complete details see **Access Door** warranty document.



Model FCI-150 wall and ceiling fire-rated panels are manufactured under the factory inspection service of Intertek (Warnock Hersey) and have a label reading: "Listed access frame and insulated fire door assembly **2 hour fire rating. Vertical and Horizontal Installation only.**" Temperature rise maximum 139°C / 250°F at 30 minutes, 250°C / 450°F at 60 minutes.

PROJECT SCHEDULE

- millimeters
 - inches

Qty	Rough Opening Size		Wall Application	Ceiling Application
	Width	Height		
			<input type="checkbox"/>	<input type="checkbox"/>
			<input type="checkbox"/>	<input type="checkbox"/>
			<input type="checkbox"/>	<input type="checkbox"/>
			<input type="checkbox"/>	<input type="checkbox"/>
			<input type="checkbox"/>	<input type="checkbox"/>
			<input type="checkbox"/>	<input type="checkbox"/>
			<input type="checkbox"/>	<input type="checkbox"/>
			<input type="checkbox"/>	<input type="checkbox"/>
			<input type="checkbox"/>	<input type="checkbox"/>
			<input type="checkbox"/>	<input type="checkbox"/>
			<input type="checkbox"/>	<input type="checkbox"/>
			<input type="checkbox"/>	<input type="checkbox"/>
			<input type="checkbox"/>	<input type="checkbox"/>



PURCHASE ORDER: _____

APPROVED BY: _____

OPTIONS: * - DENOTES ADDITIONAL COST.

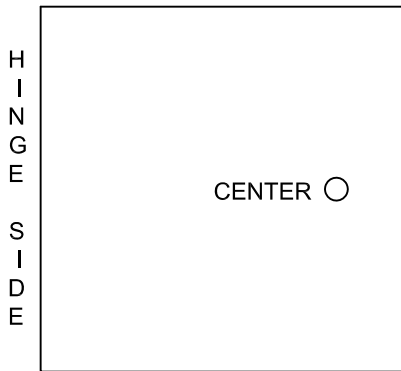
MATERIAL :-

- STANDARD MATERIAL - GALVANNEALED STEEL. SEE SHEET 1 OF 3.
- * - OPTIONAL MATERIAL - 304 STAINLESS STEEL WITH A NO. 4 POLISHED FINISH ON THE EXTERIOR SURFACE c/w CONTINUOUS PIANO HINGE.
- * - CONTINUOUS PIANO HINGE.
- * - MASONRY ANCHORS ATTACHED.

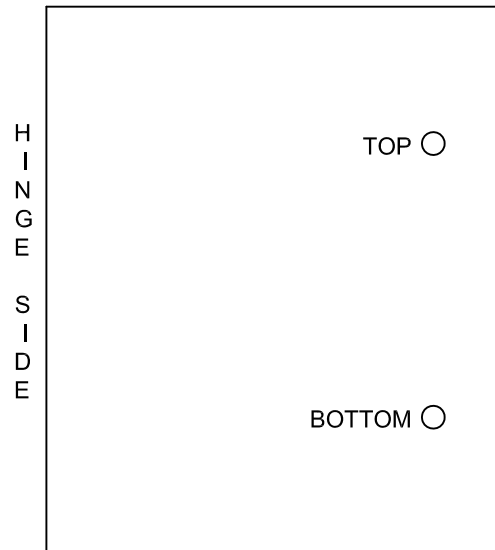
HARDWARE :-

- STANDARD HARDWARE - 1/4" ALLEN KEY. SEE SHEET 1 OF 3.
- OPTIONAL HARDWARE - **NOTE: TWO LATCHES ARE REQUIRED ON DOORS LARGER THAN 610mm x 1219mm [24" x 36"]. SEE SHEET 2 OF 3.**

ONE LATCH



TWO LATCHES


CENTER LATCH
TOP LATCH
BOTTOM LATCH

- | | | |
|--|--|--|
| <input type="checkbox"/> - ALLEN KEY | <input type="checkbox"/> - ALLEN KEY | <input type="checkbox"/> - ALLEN KEY |
| <input type="checkbox"/> - RAISED KNURLED KNOB. | <input type="checkbox"/> - RAISED KNURLED KNOB. | <input type="checkbox"/> - RAISED KNURLED KNOB. |
| * <input type="checkbox"/> - NON-LOCKING HANDLE. | * <input type="checkbox"/> - NON-LOCKING HANDLE. | * <input type="checkbox"/> - NON-LOCKING HANDLE. |
| * <input type="checkbox"/> - 1 1/8" MORTISE PREP ONLY. | * <input type="checkbox"/> - 1 1/8" MORTISE PREP ONLY. | * <input type="checkbox"/> - 1 1/8" MORTISE PREP ONLY. |
| * <input type="checkbox"/> - 1 1/8" MORTISE PREP COMPLETE WITH MORTISE CYLINDER. | * <input type="checkbox"/> - 1 1/8" MORTISE PREP COMPLETE WITH MORTISE CYLINDER. | * <input type="checkbox"/> - 1 1/8" MORTISE PREP COMPLETE WITH MORTISE CYLINDER. |

PROJECT: _____

PURCHASE ORDER: _____

CONTRACTOR: _____

APPROVED BY: _____

ARCH. OR ENG.: _____

DATE: _____