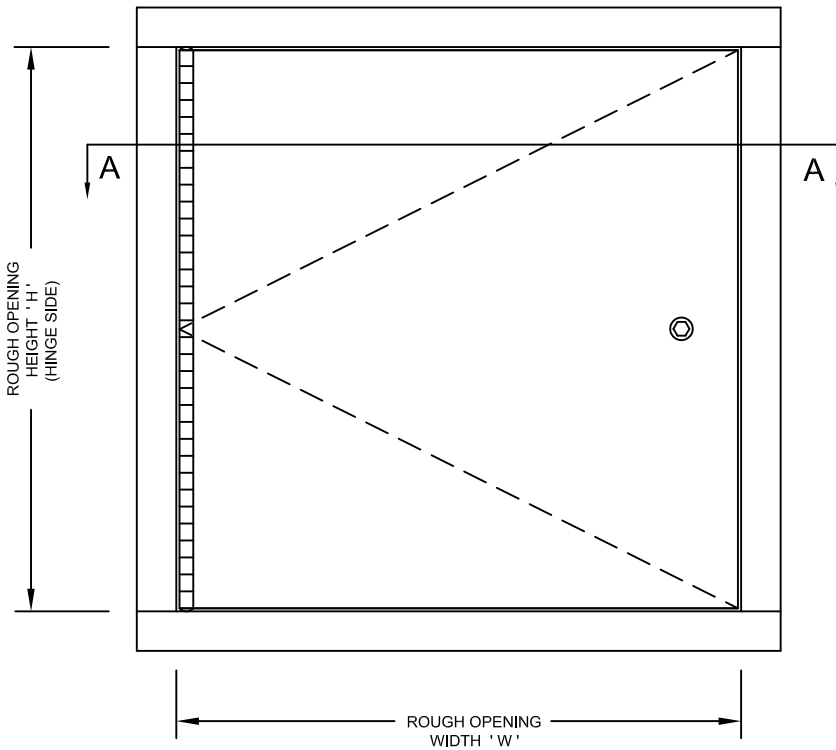


Protects electrical conductors while limiting the temperature rise to less than 90°C/162°F at 60 minutes.

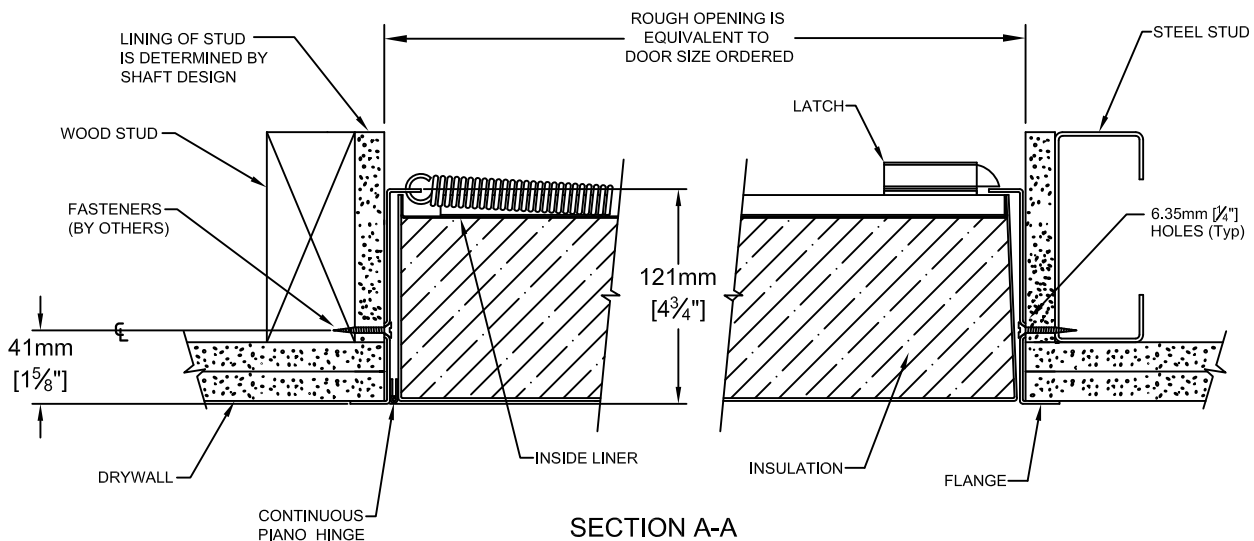


FRONT ELEVATION

STANDARD CONSTRUCTION:

- MATERIAL** - SATIN FINISH GALVANIZED (GALVANNEALED) STEEL.
- PANEL** - 1.31mm [18 ga] , SELF CLOSING.
- LINER** - 0.85mm [22ga].
- FRAME** - 1.61mm [16 ga] UP TO 762mm x 1219mm [30" x 48"]. LARGER SIZES: 1.99mm [14ga].
- FLANGE** - 22mm [$\frac{7}{8}$ "] EXTERIOR FLANGE UP TO AND INCLUDING 914mm x 914mm [36" x 36"]. LARGER SIZES: 32mm [1 $\frac{1}{4}$ ".
- HINGE** - CONTINUOUS PIANO HINGE.
- LATCH** - $\frac{3}{4}$ " ALLEN KEY, WITH INTERIOR RELEASE.
- INSULATION** - 102mm [4"] HIGH TEMPERATURE
- FINISH** - RUST INHIBITIVE PRIME COAT (OFF-WHITE).

* Specifications subject to change without notice.



SECTION A-A


PROJECT: _____

CONTRACTOR: _____

ARCH. OR ENG.: _____

DATE: _____

These drawings are the property of Maxam Metal Products Ltd. and incorporates information which is proprietary. Publication and/or public distribution in whole or in part is expressly prohibited without the prior written consent of Maxam Metal Products Ltd. The information herein remains the property of Maxam Metal Products Ltd. All rights reserved.

DWN BY KB	DATE Feb. / 2014	DWG. NO. Sheet 1 of 3	REV. 
--------------	---------------------	--------------------------	---

INSTALLATION:

The frame is manufactured with mounting holes.
All holes must be securely fastened on all four sides. See installation instructions supplied with panel.

STANDARD SIZES

FCI-400 for Wall Applications - Opens 180°

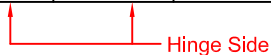
Rough Opening Size W x H		Net Opening Size W x H		No. of Latches	Weight in kgs.	Weight in lbs.
Metric (mm)	Inches	Metric (mm)	Inches			
305 x 203	12 x 8	210 x 165	8¼ x 6½	1	6.80	15.00
305 x 305	12 x 12	210 x 267	8¼ x 10½	1	8.16	18.00
305 x 762	12 x 30	210 x 724	8¼ x 28½	1	15.88	35.00
305 x 914	12 x 36	210 x 876	8¼ x 34½	1	19.05	42.00
305 x 1219	12 x 48	210 x 1181	8¼ x 46½	1	24.04	53.00
356 x 356	14 x 14	273 x 318	10¾ x 12½	1	9.98	22.00
406 x 406	16 x 16	330 x 368	13 x 14½	1	11.79	26.00
457 x 457	18 x 18	387 x 419	15¼ x 16½	1	14.06	31.00
457 x 610	18 x 24	387 x 572	15¼ x 22½	1	17.24	38.00
457 x 762	18 x 30	387 x 724	15¼ x 28½	1	20.41	45.00
457 x 914	18 x 36	387 x 876	15¼ x 34½	1	24.49	54.00
457 x 1016	18 x 40	387 x 978	15¼ x 38½	1	26.31	58.00
457 x 1067	18 x 42	387 x 1029	15¼ x 40½	1	27.67	61.00
457 x 1219	18 x 48	387 x 1181	15¼ x 46½	1	30.84	68.00
508 x 508	20 x 20	438 x 470	17¼ x 18½	1	16.33	36.00
559 x 559	22 x 22	495 x 521	19½ x 20½	1	18.60	41.00
559 x 762	22 x 30	495 x 724	19½ x 28½	1	23.59	52.00
559 x 914	22 x 36	495 x 876	19½ x 34½	1	27.67	61.00
610 x 610	24 x 24	546 x 572	21½ x 22½	1	20.87	46.00
610 x 914	24 x 36	546 x 876	21½ x 34½	1	29.48	65.00
610 x 1219	24 x 48	546 x 1181	21½ x 46½	2	37.65	83.00
762 x 762	30 x 30	705 x 724	27¾ x 28½	1	29.48	65.00
762 x 1219	30 x 48	705 x 1181	27¾ x 46½	2	44.00	97.00
914 x 914	36 x 36	857 x 876	33¾ x 34½	2	39.92	88.00

Single leaf construction for Walls only

914 x 1219	36 x 48	857 x 1181	33¾ x 46½	2	50.80	112.00
1219 x 1219	48 x 48	1168 x 1181	46 x 46½	2	63.96	141.00
1219 x 1524	48 x 60	1168 x 1486	46 x 58½	2	80.29	177.00

FCI-400 for Ceiling Applications - Opens 90°

Rough Opening Size W x H		Net Opening Size W x H		No. of Latches	Weight in kgs.	Weight in lbs.
Metric (mm)	Inches	Metric (mm)	Inches			
305 x 203	12 x 8	102 x 165	4 x 6½	1	6.80	15.00
305 x 305	12 x 12	102 x 267	4 x 10½	1	8.16	18.00
356 x 356	14 x 14	165 x 318	6½ x 12½	1	9.98	22.00
406 x 406	16 x 16	222 x 368	8¾ x 14½	1	11.79	26.00
457 x 457	18 x 18	279 x 419	11 x 16½	1	14.06	31.00
457 x 610	18 x 24	279 x 572	11 x 22½	1	17.24	38.00
508 x 508	20 x 20	330 x 470	13 x 18½	1	16.33	36.00
559 x 559	22 x 22	387 x 521	15¼ x 20½	1	18.60	41.00
610 x 610	24 x 24	438 x 572	17¼ x 22½	1	20.87	46.00



ORDERING:

- WHEN ORDERING, PLEASE SPECIFY WALL OR CEILING APPLICATION.
- PLEASE ORDER BY ROUGH OPENING SIZE.
- WHEN ORDERING THE SECOND DIMENSION GIVEN IS THE HINGE SIDE. (ie.457mm x610m [18"x24"],THE 610mm [24"] DIMENSION IS THE HINGE SIDE.

NOTE: When specifying or quoting projects,clarify if sizes given are net (clear) openings or rough opening sizes.

- THESE DOORS ARE NON-RETURNABLE

WARRANTY:

One Year Limited warranty. For complete details see **Access Door** warranty document.



Model FCI-400 wall and ceiling fire-rated panels are manufactured under the factory inspection service of Intertek (Warnock Hersey) and have a label reading: "Listed access frame and insulated fire door assembly **3 hour fire rating. Vertical and Horizontal Installation** ." Temperature rise maximum 90°C / 162°F at 60 minutes.

PROJECT SCHEDULE

- millimeters
 - inches

Qty	Rough Opening Size		Wall Application	Ceiling Application
	Width	Height		
			<input type="checkbox"/>	<input type="checkbox"/>
			<input type="checkbox"/>	<input type="checkbox"/>
			<input type="checkbox"/>	<input type="checkbox"/>
			<input type="checkbox"/>	<input type="checkbox"/>
			<input type="checkbox"/>	<input type="checkbox"/>
			<input type="checkbox"/>	<input type="checkbox"/>
			<input type="checkbox"/>	<input type="checkbox"/>
			<input type="checkbox"/>	<input type="checkbox"/>
			<input type="checkbox"/>	<input type="checkbox"/>
			<input type="checkbox"/>	<input type="checkbox"/>

PROJECT: _____

CONTRACTOR: _____

ARCH. OR ENG.: _____

DATE: _____

PURCHASE ORDER: _____

APPROVED BY: _____

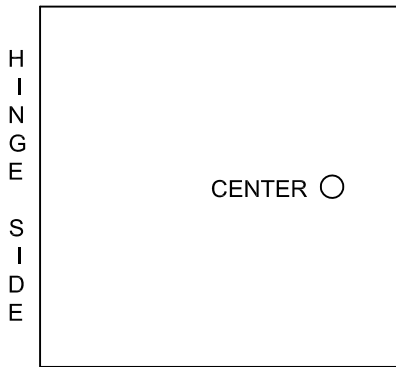
OPTIONS: * - DENOTES ADDITIONAL COST.

HARDWARE :-

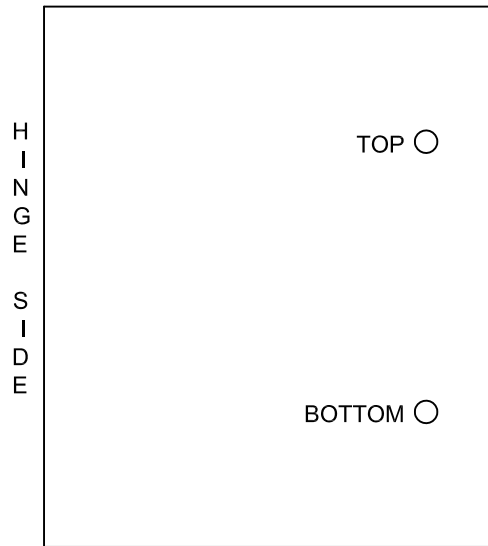
- STANDARD HARDWARE - ¼" ALLEN KEY. SEE SHEET 1 OF 3.

- OPTIONAL HARDWARE - **NOTE: TWO LATCHES ARE REQUIRED ON DOORS LARGER THAN 762mm x 762mm [30" x 30"]. SEE SHEET 2 OF 3.**

ONE LATCH



TWO LATCHES



CENTER LATCH

- ALLEN KEY
- INTERIOR LATCH RELEASE MECHANISM.

- * - 1⅛" MORTISE PREP ONLY.
- * - 1⅛" MORTISE PREP COMPLETE WITH MORTISE CYLINDER.

TOP LATCH

- ALLEN KEY
- INTERIOR LATCH RELEASE MECHANISM.

- * - 1⅛" MORTISE PREP ONLY.
- * - 1⅛" MORTISE PREP COMPLETE WITH MORTISE CYLINDER.

BOTTOM LATCH

- ALLEN KEY
- INTERIOR LATCH RELEASE MECHANISM.

- * - 1⅛" MORTISE PREP ONLY.
- * - 1⅛" MORTISE PREP COMPLETE WITH MORTISE CYLINDER.

PROJECT: _____

PURCHASE ORDER: _____

CONTRACTOR: _____

APPROVED BY: _____

ARCH. OR ENG.: _____

DATE: _____