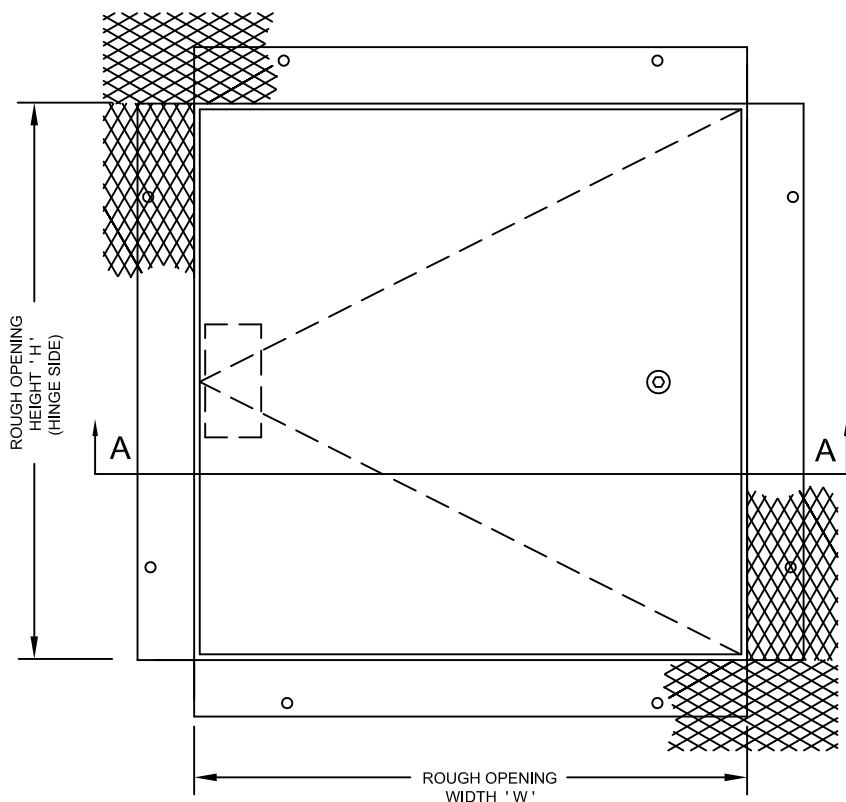
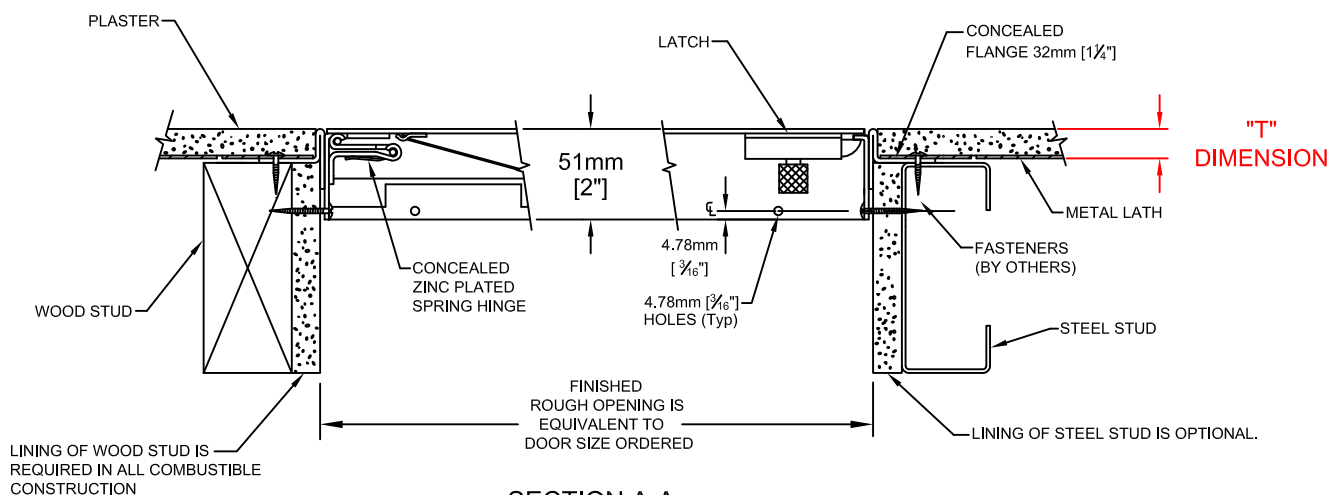


Designed with a hidden flange specifically for use with plaster, masonry, ceramic tile, or other wall coatings which require finishing up to the door panel.



FRONT ELEVATION



SECTION A-A

STANDARD CONSTRUCTION:

- MATERIAL** - SATIN FINISH GALVANIZED (GALVANNEALED) STEEL.
- PANEL** - 1.99mm [14 ga].
- FRAME** - 1.61mm [16 ga].
- FLANGE** - 32mm [1 1/4"] WIDE GALVANIZED CONCEALED PLASTER FLANGE c/w A 51mm [2"] WIDE METAL LATH.
- HINGE** - CONCEALED ZINC PLATED SPRING HINGE (OPENS TO 175°). NUMBER OF HINGES VARIES WITH SIZE OF DOOR.
- LATCH** - 3/4" ALLEN KEY, WITH INTERIOR RELEASE.
- FINISH** - RUST INHIBITIVE PRIME COAT (OFF-WHITE).

STANDARD "T" DIMENSION - 16MM [5/8"]

* Specifications subject to change without notice.


PROJECT: _____

CONTRACTOR: _____

ARCH. OR ENG.: _____

DATE: _____

These drawings are the property of Maxam Metal Products Ltd. and incorporates information which is proprietary. Publication and/or public distribution in whole or in part is expressly prohibited without the prior written consent of Maxam Metal Products Ltd. The information herein remains the property of Maxam Metal Products Ltd. All rights reserved.

DWN BY KB	DATE Jan. / 2014	DWG. NO. Sheet 1 of 3	REV. 
--------------	---------------------	--------------------------	---

OPTIONS: * - DENOTES ADDITIONAL COST.

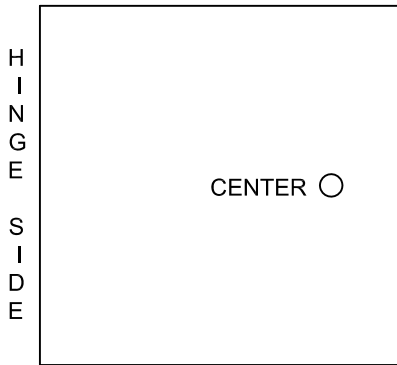
MATERIAL :-

- STANDARD MATERIAL - GALVANNEALED STEEL. SEE SHEET 1 OF 3.
- * - OPTIONAL MATERIAL - 304 STAINLESS STEEL WITH A NO. 4 POLISHED FINISH ON THE EXTERIOR SURFACE.
- * - OPTIONAL "T" DIMENSION SPECIFIED BY CUSTOMER = _____. SEE SHEET 1 OF 3.

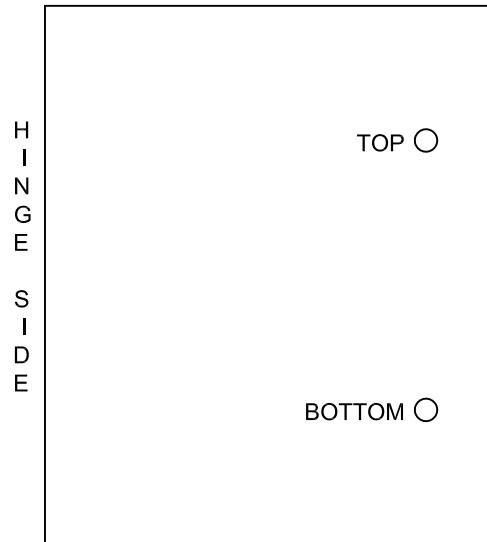
HARDWARE :-

- STANDARD HARDWARE - 1/4" ALLEN KEY. SEE SHEET 1 OF 3.
- OPTIONAL HARDWARE - **NOTE: TWO LATCHES ARE REQUIRED ON DOORS LARGER THAN 610mm x 1219mm [24" x 36"]. SEE SHEET 2 OF 3.**

ONE LATCH



TWO LATCHES



CENTER LATCH

- ALLEN KEY
- RAISED KNURLED KNOB.
- * - 1/8" MORTISE PREP ONLY.
- * - 1/8" MORTISE PREP COMPLETE WITH MORTISE CYLINDER.

TOP LATCH

- ALLEN KEY
- RAISED KNURLED KNOB.
- * - 1/8" MORTISE PREP ONLY.
- * - 1/8" MORTISE PREP COMPLETE WITH MORTISE CYLINDER.

BOTTOM LATCH

- ALLEN KEY
- RAISED KNURLED KNOB.
- * - 1/8" MORTISE PREP ONLY.
- * - 1/8" MORTISE PREP COMPLETE WITH MORTISE CYLINDER.

PROJECT: _____

PURCHASE ORDER: _____

CONTRACTOR: _____

APPROVED BY: _____

ARCH. OR ENG.: _____

DATE: _____