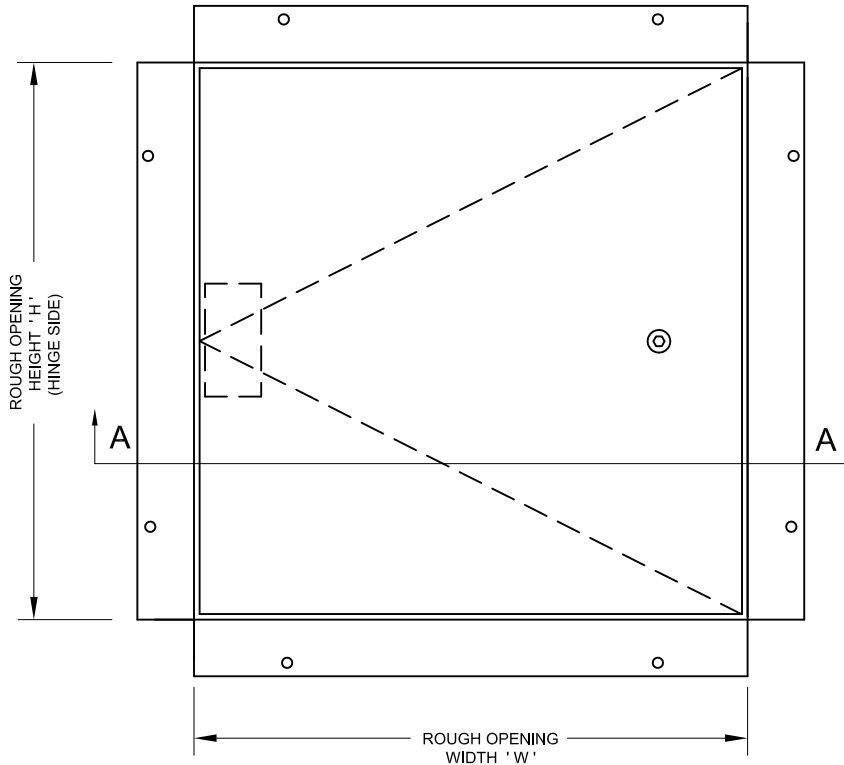


Designed with a hidden flange for use with drywall or other architectural wall finishes.
 Installed before drywall is applied.

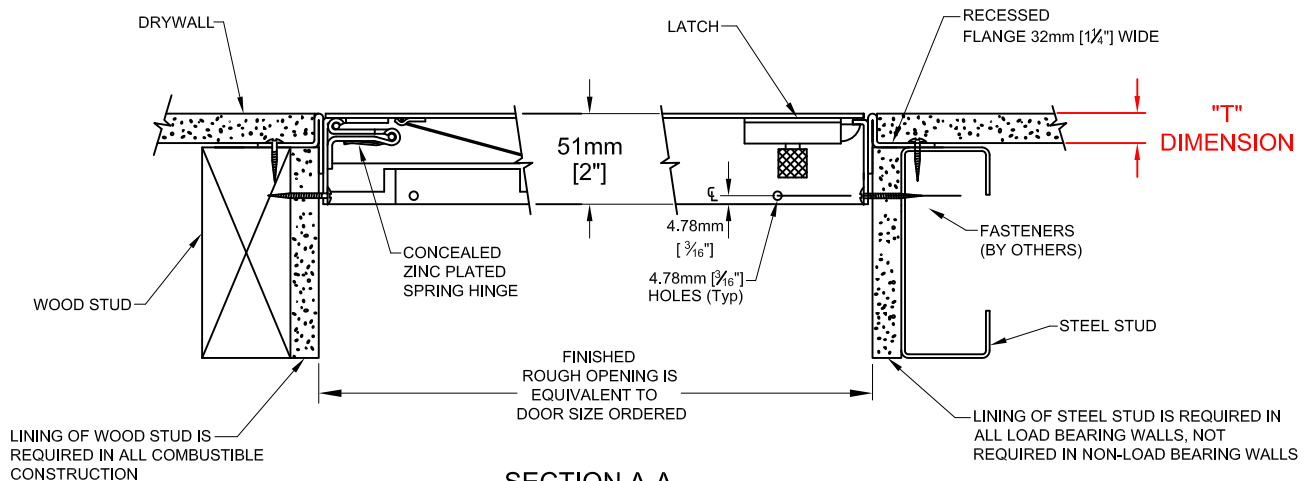


FRONT ELEVATION

STANDARD CONSTRUCTION:

- MATERIAL** - SATIN FINISH GALVANIZED (GALVANNEALED) STEEL.
- PANEL** - 1.99mm [14 ga].
- FRAME** - 1.61mm [16 ga].
- FLANGE** - 32mm [1¼"] WIDE GALVANIZED RECESSED FLANGE.
- HINGE** - CONCEALED ZINC PLATED SPRING HINGE (OPENS TO 175°). NUMBER OF HINGES VARIES WITH SIZE OF DOOR.
- PANEL CLOSER** - THE AUTOMATIC PANEL CLOSER WILL CLOSE AND LATCH THE DOOR FROM AN OPEN POSITION OF APPROXIMATELY 90° AS REQUIRED BY CODE.
- LATCH** - ¼" ALLEN KEY, WITH INTERIOR RELEASE.
- FINISH** - RUST INHIBITIVE PRIME COAT (OFF-WHITE).

STANDARD "T" DIMENSION - 16mm [5⁄8"]



SECTION A-A

PROJECT: _____


CONTRACTOR: _____

ARCH. OR ENG.: _____

DATE: _____

* Specifications subject to change without notice.

These drawings are the property of Maxam Metal Products Ltd. and incorporates information which is proprietary. Publication and/or public distribution in whole or in part is expressly prohibited without the prior written consent of Maxam Metal Products Ltd. The information herein remains the property of Maxam Metal Products Ltd. All rights reserved.

DWN BY KB	DATE Jan. / 2014	DWG. NO. Sheet 1 of 3	REV. 
--------------	---------------------	--------------------------	---

OPTIONS: * - DENOTES ADDITIONAL COST.

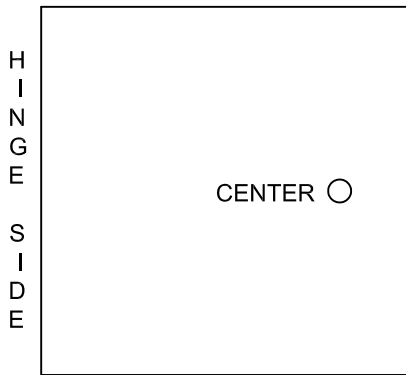
MATERIAL :-

- STANDARD MATERIAL - GALVANNEALED STEEL. SEE SHEET 1 OF 3.
- * - OPTIONAL MATERIAL - 304 STAINLESS STEEL WITH A NO. 4 POLISHED FINISH ON THE EXTERIOR SURFACE.
- * - OPTIONAL "T" DIMENSION SPECIFIED BY CUSTOMER = _____. SEE SHEET 1 OF 3.

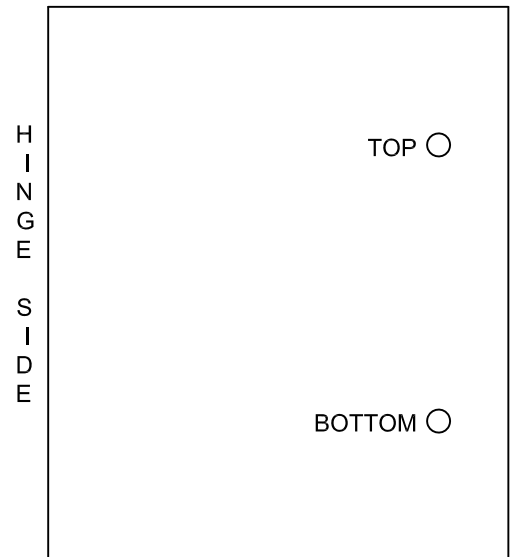
HARDWARE :-

- STANDARD HARDWARE - ¼" ALLEN KEY. SEE SHEET 1 OF 3.
- OPTIONAL HARDWARE - **NOTE: TWO LATCHES ARE REQUIRED ON DOORS LARGER THAN 610mm x 1219mm [24" x 36"]. SEE SHEET 2 OF 3.**

ONE LATCH



TWO LATCHES



CENTER LATCH

TOP LATCH

BOTTOM LATCH

- | | | |
|---|---|---|
| <input type="checkbox"/> - ALLEN KEY | <input type="checkbox"/> - ALLEN KEY | <input type="checkbox"/> - ALLEN KEY |
| <input type="checkbox"/> - RAISED KNURLED KNOB. | <input type="checkbox"/> - RAISED KNURLED KNOB. | <input type="checkbox"/> - RAISED KNURLED KNOB. |
| * <input type="checkbox"/> - 1⅛" MORTISE PREP ONLY. | * <input type="checkbox"/> - 1⅛" MORTISE PREP ONLY. | * <input type="checkbox"/> - 1⅛" MORTISE PREP ONLY. |
| * <input type="checkbox"/> - 1⅛" MORTISE PREP COMPLETE WITH MORTISE CYLINDER. | * <input type="checkbox"/> - 1⅛" MORTISE PREP COMPLETE WITH MORTISE CYLINDER. | * <input type="checkbox"/> - 1⅛" MORTISE PREP COMPLETE WITH MORTISE CYLINDER. |

PROJECT: _____

PURCHASE ORDER: _____

CONTRACTOR: _____

APPROVED BY: _____

ARCH. OR ENG.: _____

DATE: _____