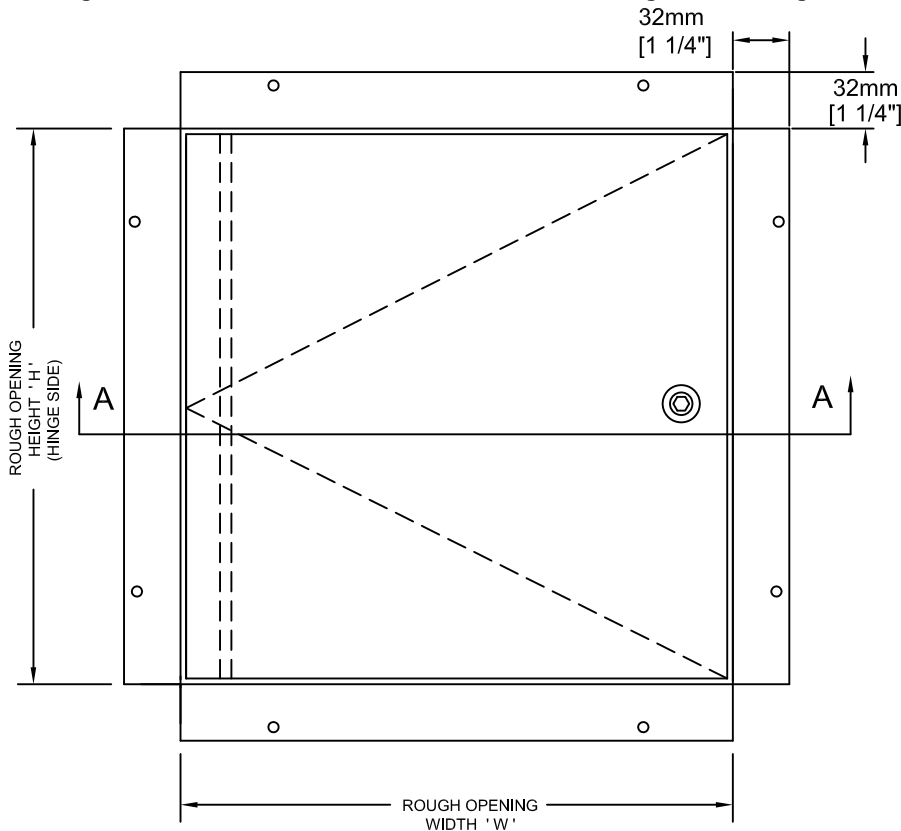


Designed to conform to the architectural design of ceiling and wall tiles.



FRONT ELEVATION

STANDARD CONSTRUCTION:

MATERIAL - SATIN FINISH GALVANIZED (GALVANNEALED) STEEL.

PANEL - 1.61mm [16 ga.].

FRAME - 1.61mm [16 ga.]

FLANGE - 32mm [1 1/4"] WIDE RECESSED FLANGE.

HINGE - CONCEALED ROD HINGE ON DOORS UP TO 610mm x 914mm [24" x 36"].
- LARGER SIZES: CONTINUOUS PIANO HINGE STANDARD.

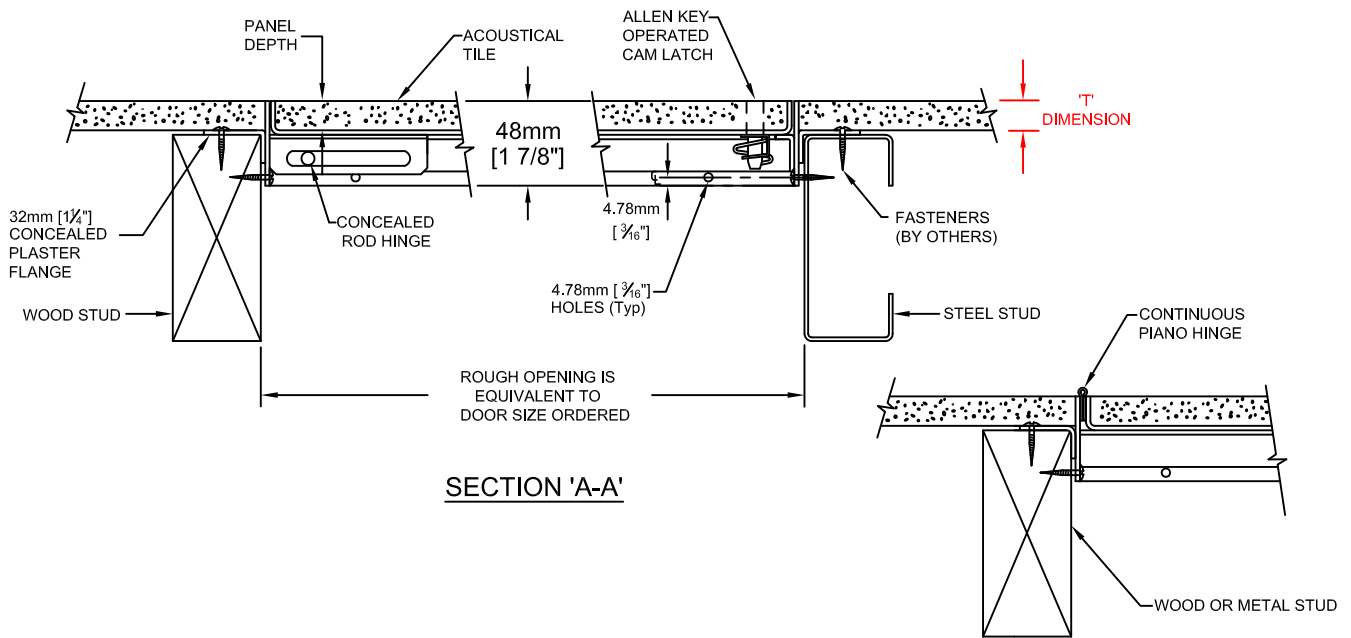
LATCH - 4.78mm [3/16"] ALLEN KEY CAM.

FINISH - RUST INHIBITIVE PRIME COAT (OFF-WHITE).

STANDARD PANEL DEPTH : 16mm [5/8"]

STANDARD "T" DIMENSION : 16mm [5/8"]

* Specifications subject to change without notice.



SECTION 'A-A'

OPTIONAL - PIANO HINGE


PROJECT: _____

CONTRACTOR: _____

ARCH. OR ENG.: _____

DATE: _____

These drawings are the property of Maxam Metal Products Ltd. and incorporates information which is proprietary. Publication and/or public distribution in whole or in part is expressly prohibited without the prior written consent of Maxam Metal Products Ltd. The information herein remains the property of Maxam Metal Products Ltd. All rights reserved.

DWN BY KB	DATE Feb. / 2014	DWG. NO. Sheet 1 of 2	REV. 
--------------	---------------------	--------------------------	---

INSTALLATION:

The outer recessed flange and inner frame are manufactured with mounting holes. For square fit, keep the door panel closed while installing. Install before your finishing material is applied.

ORDERING:

- PLEASE ORDER BY ROUGH OPENING SIZE.
- WHEN ORDERING PLEASE SPECIFY THE " T " DIMENSION (FLANGE DEPTH) AND PANEL DEPTH YOU REQUIRE.
- WHEN ORDERING THE SECOND DIMENSION GIVEN IS THE HINGE SIDE. (ie. 457mm x 610mm [18" x 24"], THE 610mm [24"] DIMENSION IS THE HINGE SIDE.
- THESE DOORS ARE NON-RETURNABLE.

OPTIONS: * - DENOTES ADDITIONAL COST.

- 13mm [½"] PANEL DEPTH WITH A ⅜" ALLEN KEY CAM.
- * - CYLINDER KEY LOCK (NON RE-KEYABLE) KEYED ALIKE.
- * - CYLINDER KEY LOCK IS REQUIRED FOR PANEL DEPTHS OVER 16mm [⅝"] UP TO 25mm [1"].
- * - CONTINUOUS PIANO HINGE ON DOORS LESS THAN 610mm x 914mm [24" x 36"].
- CUSTOM PANEL DEPTH = 12.7mm [½"].
- CUSTOM " T " DIMENSION = 12.7mm [½"].
- * - CUSTOM PANEL DEPTH = 25mm [1"].
- * - CUSTOM " T " DIMENSION = 25mm [1"].

WARRANTY:

One Year Limited warranty. For complete details see **Access Door** warranty document.

NAT - STANDARD SIZES

Rough Opening Size W x H		No. of ⅜" Allen Key Cams	Weight in kgs.	Weight in lbs.
Metric (mm)	Inches			
203 x 203	8 x 8	1	1.70	3.75
305 x 305	12 x 12	1	2.63	5.80
406 x 406	16 x 16	1	4.53	10.00
457 x 457	18 x 18	1	5.55	12.25
457 x 610	18 x 24	2	6.91	15.25
559 x 762	22 x 30	2	10.09	22.25
610 x 610	24 x 24	2	8.84	19.50
610 x 762	24 x 30	2	10.77	23.75
610 x 914	24 x 36	3	12.70	28.00



Net Opening = Width minus 70mm [2¾"]
Height minus 32mm [1¼"]

PROJECT: _____

CONTRACTOR: _____

ARCH. OR ENG.: _____

DATE: _____

PROJECT SCHEDULE

- millimeters
- inches

Qty	Rough Opening Size		Options
	Width	Height	



PURCHASE ORDER: _____

APPROVED BY: _____