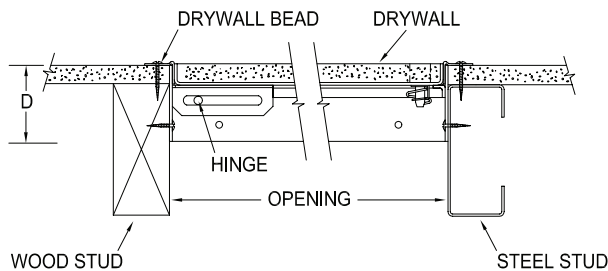
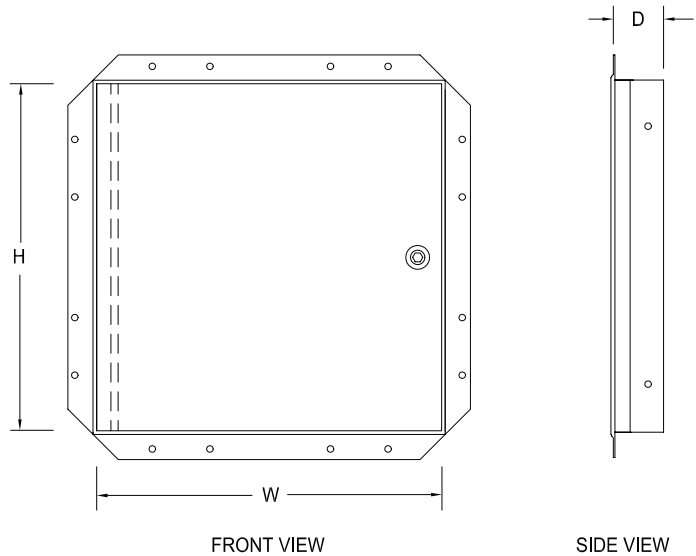


**VAN-MET® MODEL NDI - Drywall Insert**

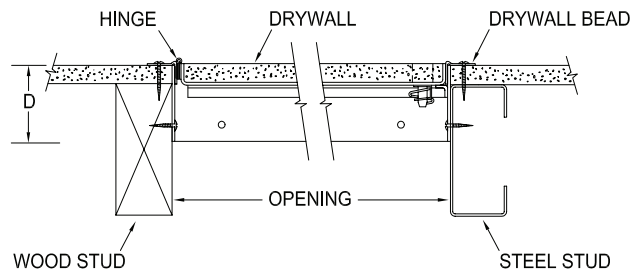
manufactured to  
the **VAN-MET®**  
design standard



- Ideal when a concealed appearance is desired.
- Door panel is recessed to receive drywall.
- Designed with a galvanized steel drywall bead tapping flange, specifically for use with drywall.
- Installed after the drywall has been applied.
- Drywall compound is applied over the beading at the same time the drywall joints are finished.
- Standard panel depth is 16mm (5/8"). Other depths available upon request.
- Exterior appearance is compatible with the non-rated and fire-rated Van-Met access door line.



**Concealed Rod Hinge**



**Optional: Piano Hinge**

**Material**

Satin finish galvanized steel  
Frame - 1.61mm (16 ga)  
Panel - 1.61mm (16 ga)

**Finish**

The paint finish is an electrostatically applied rust inhibitive prime coat.

**Hinges**

**Rod Hinge**

The concealed rod hinge is designed to secure the door panel. The hinge is placed on the long side of the door ("H" dimension) unless otherwise requested.

**Optional: Piano Hinge**

The continuous piano hinge allows the door panel to open 175° for easy access. The hinge is placed on the long side of the door ("H" dimension) unless otherwise requested.

**Note:** Piano hinge standard on doors greater than 610mm x 914mm (24" x 36").

**Latch**

**Standard**

3/16" allen key cam available in 1/2" or in a 5/8" panel depth.

**Optional Lock**

Cylinder key lock is required for panel depths over 16mm (5/8") up to 25mm (1").

**Flange**

Galvanized steel drywall bead tapping flange

**Frame Depth**

"D" = 48mm (1 7/8")

**Panel Depth**

Standard - 16mm (5/8")  
Other depths are available upon request.

**Ordering**

Please order by rough opening size and specify panel depth. These doors are non-returnable.

**Installation**

The outer galvanized steel tapping flange and inner frame are manufactured with pre-punched mounting holes. For a square fit, keep the door panel closed while installing.

**See size and weight chart on page 25.**