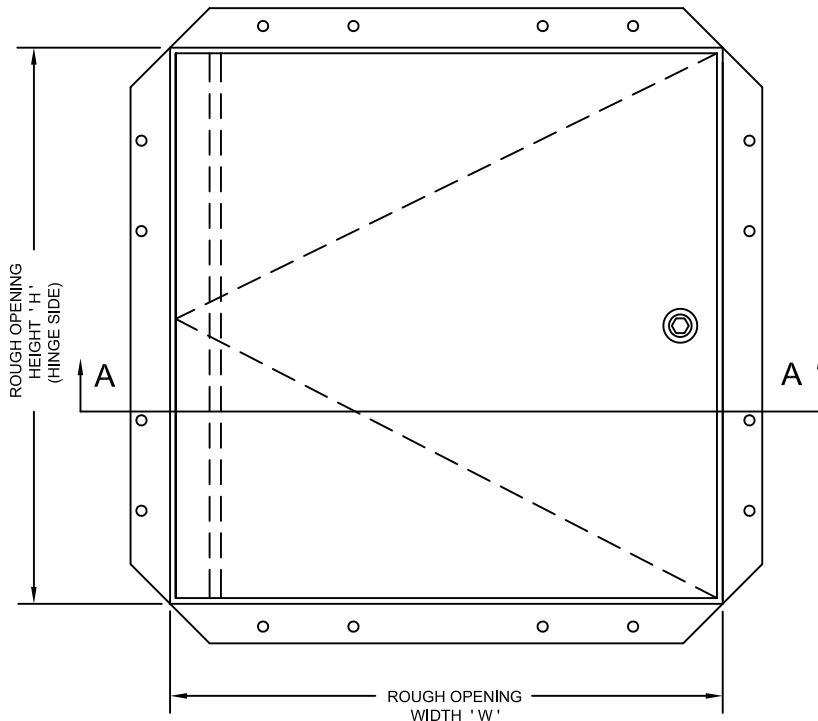


Designed with a galvanized steel drywall bead taping flange.



**FRONT ELEVATION**

**STANDARD CONSTRUCTION:**

**MATERIAL** - SATIN FINISH GALVANIZED (GALVANNEALED) STEEL.

**PANEL** - 1.61mm [16 ga.].

**FRAME** - 1.61mm [16 ga.].

**FLANGE** - GALVANIZED STEEL DRYWALL BEAD TAPING FLANGE.

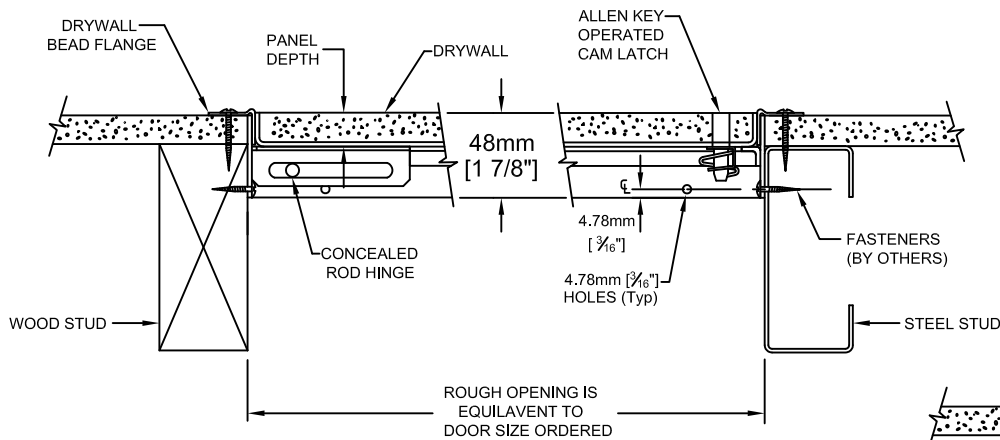
**HINGE** - CONCEALED ROD HINGE ON DOORS UP TO 610mm x 914mm [24" x 36"].  
 - LARGER SIZES: CONTINUOUS PIANO HINGE STANDARD.

**LATCH** - 4.78mm [ $\frac{3}{16}$ " ] ALLEN KEY CAM.

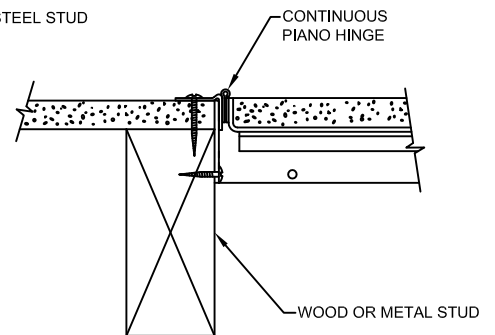
**FINISH** - RUST INHIBITIVE PRIME COAT (OFF-WHITE).

**STANDARD PANEL DEPTH** : 16mm [ $\frac{5}{8}$ " ]

\* Specifications subject to change without notice.



**SECTION A-A**



**OPTIONAL - PIANO HINGE**


PROJECT: \_\_\_\_\_

CONTRACTOR: \_\_\_\_\_

ARCH. OR ENG.: \_\_\_\_\_

DATE: \_\_\_\_\_

These drawings are the property of Maxam Metal Products Ltd. and incorporates information which is proprietary. Publication and/or public distribution in whole or in part is expressly prohibited without the prior written consent of Maxam Metal Products Ltd. The Information herein remains the property of Maxam Metal Products Ltd. All rights reserved.

DWN BY KB	DATE Feb. / 2014	DWG. NO. Sheet 1 of 2	REV. 
--------------	---------------------	--------------------------	---

**INSTALLATION:**

Installed after the drywall has been applied.  
 The outer galvanized steel tapping flange and inner frame are manufactured with pre-punched mounting holes.

For square fit, keep the door panel closed while installing.

Door panel is recessed to receive drywall.

Drywall compound is applied over the beading at the same time the drywall joints are finished.

**ORDERING:**

- PLEASE ORDER BY ROUGH OPENING SIZE.
- WHEN ORDERING THE SECOND DIMENSION GIVEN IS THE HINGE SIDE. (ie. 457mm x 610mm [18" x 24"], THE 610mm [24"] DIMENSION IS THE HINGE SIDE.
- THESE DOORS ARE NON-RETURNABLE.

**OPTIONS:** \* - DENOTES ADDITIONAL COST.

- 13mm [ $\frac{1}{2}$ "] PANEL DEPTH WITH A  $\frac{3}{16}$ " ALLEN KEY CAM.
- \*  - CYLINDER KEY LOCK (NON RE-KEYABLE) KEYED ALIKE.
- \*  - CYLINDER KEY LOCK IS REQUIRED FOR PANEL DEPTHS OVER 16mm [ $\frac{5}{8}$ "] UP TO 25mm [1"].
- \*  - CONTINUOUS PIANO HINGE ON DOORS LESS THAN 610mm x 914mm [24" x 36"].
- \*  - CUSTOM PANEL DEPTH \_\_\_\_\_.

**WARRANTY:**

One Year Limited warranty. For complete details see **Access Door** warranty document.

**NDI - STANDARD SIZES**

Rough Opening Size W x H		No. of $\frac{3}{16}$ " Allen Key Cams	Weight in kgs.	Weight in lbs.
Metric (mm)	Inches			
203 x 203	8 x 8	1	1.70	3.75
305 x 305	12 x 12	1	2.63	5.80
406 x 406	16 x 16	1	4.53	10.00
457 x 457	18 x 18	1	5.55	12.25
457 x 610	18 x 24	2	6.91	15.25
559 x 762	22 x 30	2	10.09	22.25
610 x 610	24 x 24	2	8.84	19.50
610 x 762	24 x 30	2	10.77	23.75
610 x 914	24 x 36	3	12.70	28.00

↑ ↑ Hinge Side

Net Opening = Width minus 70mm [ $2\frac{3}{4}$ "]  
 Height minus 32mm [ $1\frac{1}{4}$ "]

**PROJECT SCHEDULE**

- millimeters  
 - inches

Qty	Rough Opening Size		Options
	Width	Height	

↑ Hinge Side

PROJECT: \_\_\_\_\_

CONTRACTOR: \_\_\_\_\_

ARCH. OR ENG.: \_\_\_\_\_

DATE: \_\_\_\_\_

PURCHASE ORDER: \_\_\_\_\_

APPROVED BY: \_\_\_\_\_