



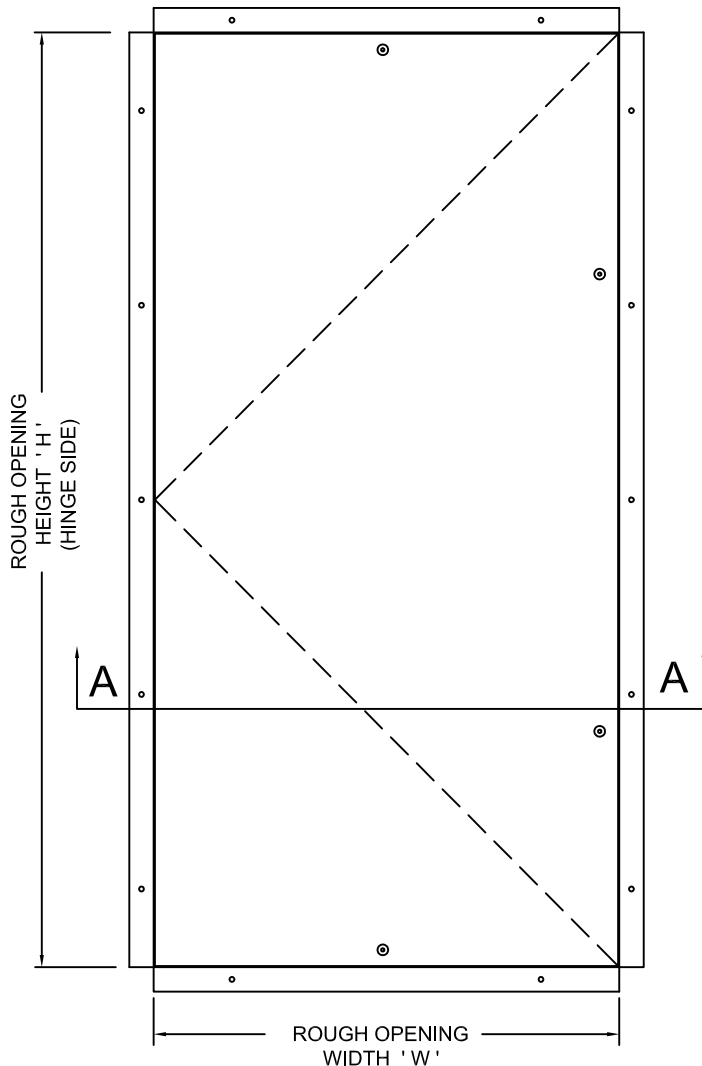
MAXAM
METAL PRODUCTS

#5 7978 North Fraser Way
Burnaby, B.C. V5J 0C7
Tel: 604 433 4243
Fax: 604 433 4148
E-mail: info@maxammetal.com

MODEL NFC - Fan Coil Access

VAN-MET[®] NON-RATED ACCESS DOOR

Designed for areas with space limitations.



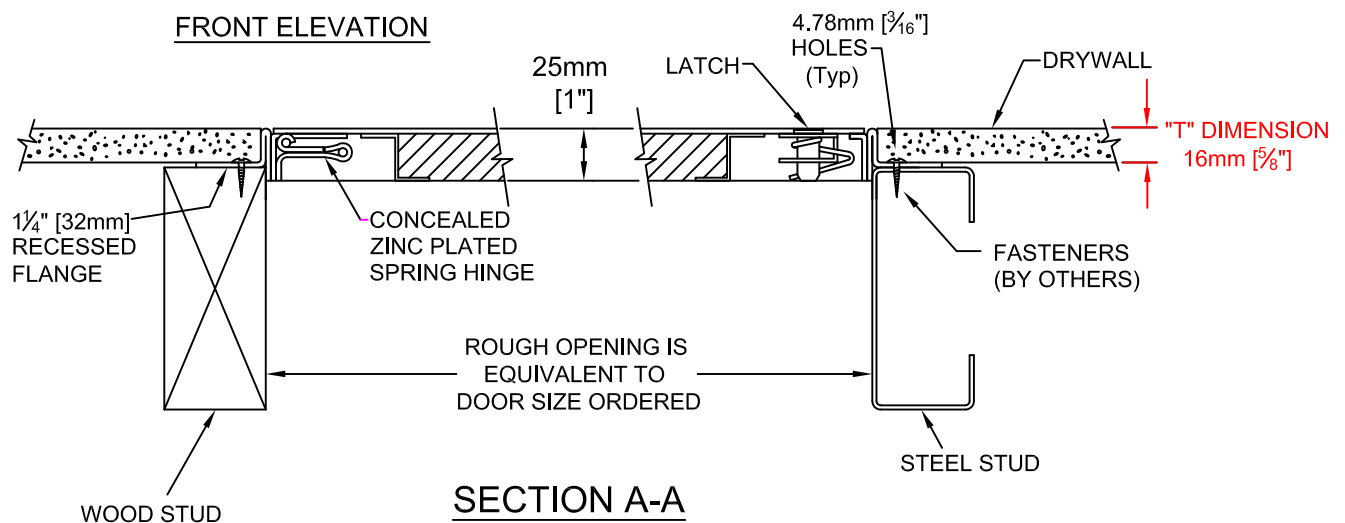
FRONT ELEVATION

STANDARD CONSTRUCTION:

- MATERIAL** - SATIN FINISH GALVANIZED (GALVANNEELED) STEEL.
- PANEL** - 1.99mm [14ga] c/w SAFETY CHAIN.
- FRAME** - 1.61mm [16ga].
- FLANGE** - 32mm [1¼"] RECESSED FLANGE WIDTH.
- HINGE** - CONCEALED ZINC PLATED SPRING HINGES (OPENS TO 175°). NUMBER OF HINGES VARIES WITH SIZE OF DOOR.
- ACCOUSTICAL INSULATION** - 25mm [1"] THICK.
- LATCH** - 3/16" ALLEN KEY CAM (HEAVY DUTY). NUMBER OF LATCHES VARIES WITH SIZE OF DOOR.
- SAFETY CHAIN STANDARD ON LARGER SIZES ONLY.
- FINISH** - RUST INHIBITIVE PRIME COAT, (OFF-WHITE).

STANDARD "T" DIMENSION - 16mm [5/8"].

*Specifications subject to change without notice.



SECTION A-A

PROJECT: _____

CONTRACTOR: _____

ARCH. OR ENG.: _____

DATE: _____

This drawing is the property of Maxam Metal Products Ltd. and incorporates information which is proprietary. Publication and/or public distribution in whole or in part is expressly prohibited without the prior written consent of Maxam Metal Products Ltd. The information contained herein remains the property of Maxam Metal Products Ltd. All rights reserved.

DRN BY KB	DATE Feb. / 2014	DWG. NO. Sheet 1 of 2	REV. 0
--------------	---------------------	--------------------------	-----------

INSTALLATION:

The recessed outer flange is manufactured with mounting holes.
 For square fit, keep the door panel closed while installing.
 Install before your finishing material is applied.

WARRANTY:

One Year Limited warranty. For complete details see **Access Door** warranty document.

OPTIONS:

- OPTIONAL " T " DIMENSION 13mm [$\frac{1}{2}$ "].

NOTE:

- THESE DOORS ARE MADE TO ORDER.

ORDERING:

- PLEASE ORDER BY ROUGH OPENING SIZE.
- WHEN ORDERING PLEASE SPECIFY THE " T " DIMENSION (FLANGE DEPTH) YOU REQUIRE.
- WHEN ORDERING THE SECOND DIMENSION GIVEN IS THE HINGE SIDE. (ie. 457mm x 610mm [18" x 24"], THE 610mm [24"] DIMENSION IS THE HINGE SIDE.
- THESE DOORS ARE NON-RETURNABLE.

MODEL - NFC

Rough Opening Size W x H		No. of $\frac{3}{16}$ " Allen Key Cams	Weight in kgs.	Weight in lbs.
Metric (mm)	Inches			
457 x 457	18 x 18	1	5.81	12.81
610 x 610	24 x 24	4	9.29	20.50
559 x 914	22 x 36	4	12.41	27.37
559 x 1067	22 x 42	5	18.59	41.00
559 x 1372	22 x 54	6	19.18	42.30

↑
 ↑
 Hinge Side

Net Opening = Width minus 51mm [2"]
 Height minus 29mm [$1\frac{1}{8}$ "]

PROJECT SCHEDULE

- millimeters
 - inches

Qty	Rough Opening Size		Options
	Width	Height	

↑
 Hinge Side

PROJECT: _____

CONTRACTOR: _____

ARCH. OR ENG.: _____

DATE: _____

PURCHASE ORDER: _____

APPROVED BY: _____