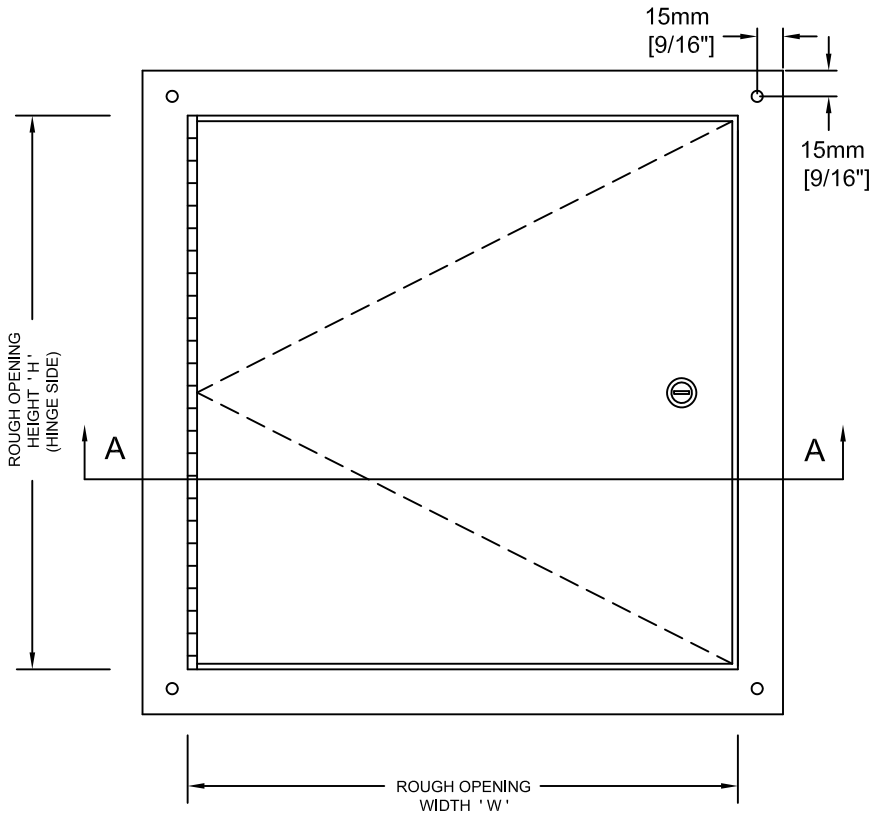


Designed as a surface mount, no inner frame. Ideal when objects (pipes etc.) interfere with the placement of an inner door frame.



FRONT ELEVATION

STANDARD CONSTRUCTION:

MATERIAL - SATIN FINISH GALVANIZED (GALVANNEALED) STEEL.

PANEL - 1.61mm [16 ga.]

FRAME - 1.61mm [16 ga.]

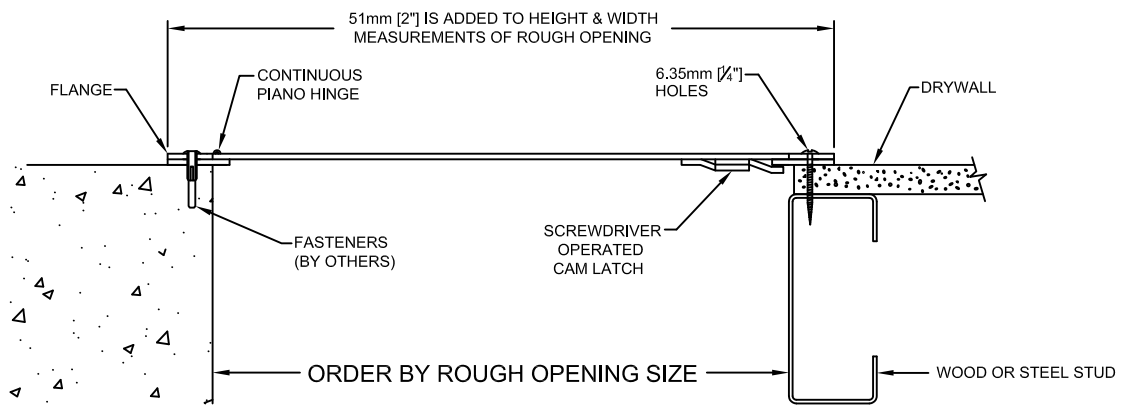
FLANGE - 25mm [1"] WIDE.

HINGE - CONTINUOUS PIANO HINGE (OPENS TO 175°).

LATCH - SCREWDRIVER OPERATED CAM LATCH. NUMBER OF LATCHES VARIES WITH SIZE OF DOOR.

FINISH - RUST INHIBITIVE PRIME COAT (OFF-WHITE).

* Specifications subject to change without notice.



SECTION A-A


PROJECT: _____

CONTRACTOR: _____

ARCH. OR ENG.: _____

DATE: _____

These drawings are the property of Maxam Metal Products Ltd. and incorporates information which is proprietary. Publication and/or public distribution in whole or in part is expressly prohibited without the prior written consent of Maxam Metal Products Ltd. The information herein remains the property of Maxam Metal Products Ltd. All rights reserved.

DWN BY KB	DATE Feb. / 2014	DWG. NO. Sheet 1 of 2	REV. 
--------------	---------------------	--------------------------	---

INSTALLATION:

The panel is surface mounted through the holes on the outer flange.

ORDERING:

- PLEASE ORDER BY ROUGH OPENING SIZE.
- CLEAR OPENING DIMENSIONS ARE 13mm [$\frac{1}{2}$ "] LESS THAN ROUGH OPENING SIZE.
- THESE DOORS ARE NON-RETURNABLE.

OPTIONS: * - DENOTES ADDITIONAL COST.

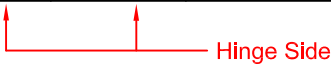
- * - 3/16" ALLEN KEY CAM.
- * - TORX HEAD CAM.
- * - NON-LOCKING TWO POSITION HANDLE.
- * - CYLINDER KEY LOCK (NON RE-KEYABLE) KEYED ALIKE.
- * - 304 STAINLESS STEEL WITH A NO. 4 POLISHED FINISH ON THE EXTERIOR SURFACE.

WARRANTY:

One Year Limited warranty. For complete details see **Access Door** warranty document.

NFM - STANDARD SIZES

Outside Dimension W x H		Rough Opening Size W x H		Clear Opening Size W x H		No. of Latches	Weight in kgs.	Weight in lbs.
Metric (mm)	Inches	Metric (mm)	Inches	Metric (mm)	Inches			
254 x 254	10 x 10	203 x 203	8 x 8	191 x 191	7½ x 7½	1	1.27	2.80
305 x 305	12 x 12	254 x 254	10 x 10	241 x 241	9½ x 9½	1	1.72	3.80
356 x 356	14 x 14	305 x 305	12 x 12	292 x 292	11½ x 11½	1	2.20	4.85
406 x 406	16 x 16	356 x 356	14 x 14	343 x 343	13½ x 13½	2	2.77	6.10
457 x 457	18 x 18	406 x 406	16 x 16	394 x 394	15½ x 15½	4	3.51	7.75
508 x 356	20 x 14	457 x 305	18 x 12	445 x 292	17½ x 11½	5	3.04	6.70
508 x 508	20 x 20	457 x 457	18 x 18	445 x 445	17½ x 17½	4	4.20	9.25
660 x 660	26 x 26	610 x 610	24 x 24	597 x 597	23½ x 23½	6	6.89	15.20



PROJECT SCHEDULE

- millimeters
- inches

Qty	Rough Opening Size		Options
	Width	Height	



PROJECT: _____

PURCHASE ORDER: _____

CONTRACTOR: _____

APPROVED BY: _____

ARCH. OR ENG.: _____

DATE: _____