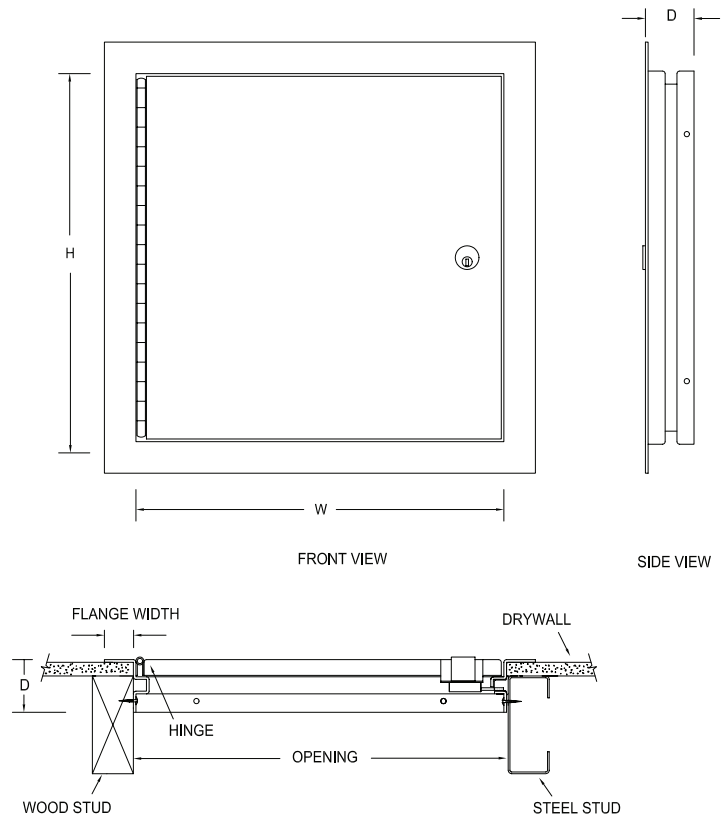


VAN-MET® MODEL NHS - High Security Door

manufactured to
the **VAN-MET®**
design standard



- Designed for situations requiring heightened security.
- The return flange on the door panel provides rigidity and tamper-resistance edges.
- Fully welded construction, panel and frame are manufactured from 3.40mm (10 ga) steel.
- In addition to the concealed spot welding, individual knuckles on the full length piano hinge are welded to the frame and panel.
- The number of locks varies according to the door size or to meet your specifications.
- Available with brackets for mounting an Anti-Tamper Switch(es).
- Exterior appearance is compatible with the non-rated and fire-rated Van-Met access door line, so uniformity of design is maintained when the doors are installed in the same building.



Materials

Steel or 304 stainless steel
Frame - 3.40mm (10ga)
Panel - 3.40mm (10ga)

Finishes

The paint finish is an electrostatically applied rust inhibitive prime coat or a No. 4 polished stainless steel finish on the exterior surface.

Hinge

The continuous piano hinge with a non-removable pin secures the panel, which makes tampering extremely difficult. The hinge allows the door panel to open 180° and is placed on the long side of the door ("H" dimension) unless otherwise requested.

Lock

Standard

The standard factory installed lock is a deadbolt lock with a Schlage "C" keyway.

Optional

Detention lock preparation

Flange

Exterior flange
Width - 51mm (2")

Frame Depth

"D" = 65mm (2⁹/₁₆")

Ordering

Please order by rough opening size. These doors are non-returnable.

Installation

The frame is manufactured with mounting holes. Factory installed anchor straps are available for masonry, upon request.

See size and weight chart on page 24.