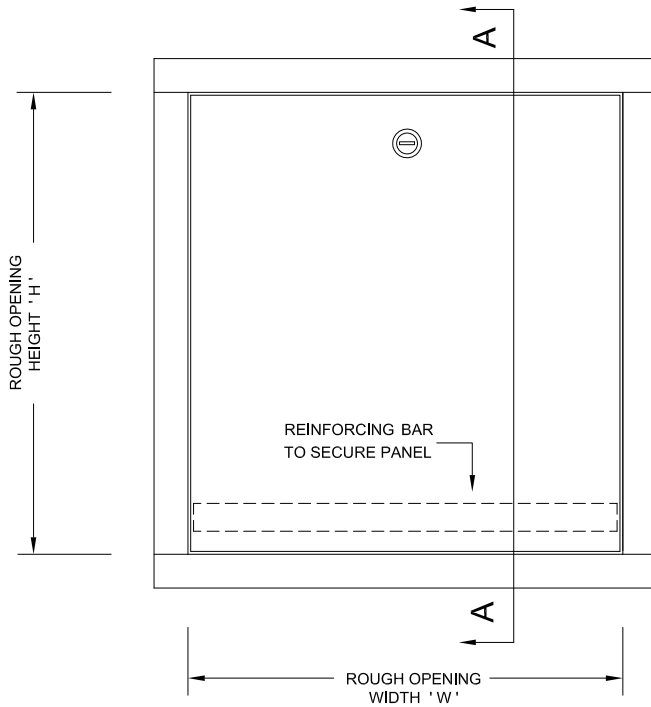


Designed with a reinforcing bar that secures the door panel onto the frame. Ideal when door panel needs to be removed, providing unobstructed access.



FRONT ELEVATION

STANDARD CONSTRUCTION:

MATERIAL - SATIN FINISH GALVANIZED (GALVANNEALED) STEEL.

PANEL - 1.61mm [16 ga.] c/w SAFETY CHAIN.

FRAME - 1.61mm [16 ga.]

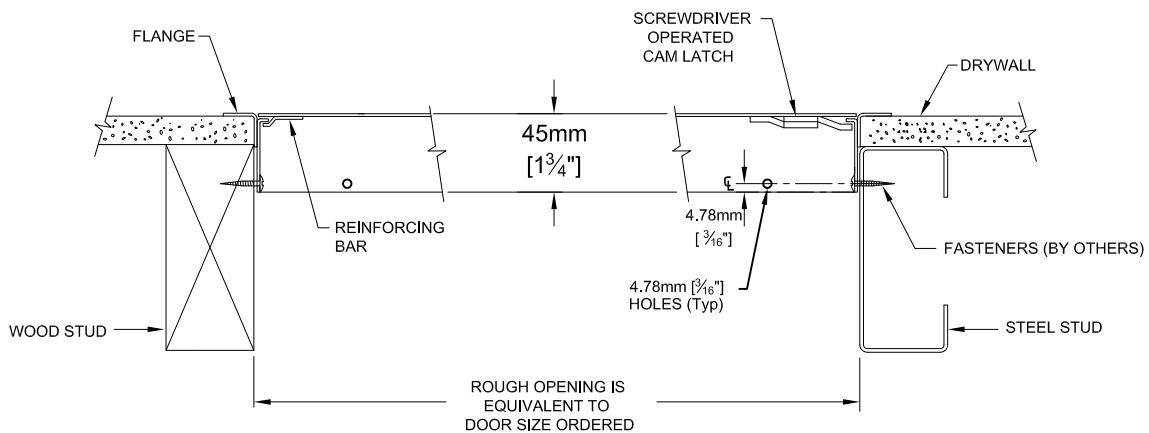
FLANGE - 19mm [3/4"] UP TO AND INCLUDING 914mm x 914mm [36" x 36"].
 32mm [1 1/4"] GREATER THAN 914mm x 914mm [36" x 36"].

HINGE - PANEL REMOVABLE, NO HINGES.
NOTE: WHEN PANELS ARE USED IN A WALL INSTALLATION, THE REINFORCING BAR MUST BE LOCATED ON THE FLOOR SIDE.

LATCH - SCREWDRIVER OPERATED CAM LATCH. NUMBER OF LATCHES VARIES WITH SIZE OF DOOR.

FINISH - RUST INHIBITIVE PRIME COAT (OFF-WHITE).

* Specifications subject to change without notice.



SECTION A-A

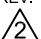
PROJECT: _____

CONTRACTOR: _____

ARCH. OR ENG.: _____

DATE: _____

These drawings are the property of Maxam Metal Products Ltd. and incorporates information which is proprietary. Publication and/or public distribution in whole or in part is expressly prohibited without the prior written consent of Maxam Metal Products Ltd. The information herein remains the property of Maxam Metal Products Ltd. All rights reserved.

DWN BY KB	DATE Feb. / 2014	DWG. NO. Sheet 1 of 3	REV. 
--------------	---------------------	--------------------------	---

INSTALLATION:

Surface mounted, installed after the finishing materials have been applied. Simply frame in, cut your rough opening and install. The frame is manufactured with mounting holes.

ORDERING:

- PLEASE ORDER BY ROUGH OPENING SIZE.
- THE REINFORCING BAR IS LOCATED ON THE " W " DIMENSION WHICH IS THE FIRST NUMBER CITED WHEN PLACING AN ORDER.
- THESE DOORS ARE NON-RETURNABLE.

WARRANTY:

One Year Limited warranty. For complete details see **Access Door** warranty document.

OPTIONS: * - DENOTES ADDITIONAL COST.

- * - 3/16" ALLEN KEY CAM.
- * - TORX HEAD CAM.
- * - NON-LOCKING TWO POSITION HANDLE.
- * - CYLINDER KEY LOCK (NON RE-KEYABLE) KEYED ALIKE.
- * - 304 STAINLESS STEEL WITH A NO. 4 POLISHED FINISH ON THE EXTERIOR SURFACE.

NRP - STANDARD SIZES

Rough Opening Size W x H		No. of Latches	Weight in kgs.	Weight in lbs.
Metric (mm)	Inches			
203 x 203	8 x 8	1	1.70	3.75
305 x 305	12 x 12	1	2.63	5.80
356 x 356	14 x 14	1	3.62	8.00
406 x 406	16 x 16	2	4.53	10.00
457 x 457	18 x 18	2	5.55	12.25
457 x 610	18 x 24	3	6.91	15.25
508 x 508	20 x 20	3	6.57	14.50
610 x 610	24 x 24	4	8.84	19.50

Net Opening = **Width** minus 32mm [1¼"]
Height minus 32mm [1¼"]

PROJECT SCHEDULE

- millimeters
 - inches

Qty	Rough Opening Size		Options
	Width	Height	

PROJECT: _____

PURCHASE ORDER: _____

CONTRACTOR: _____

APPROVED BY: _____

ARCH. OR ENG.: _____

DATE: _____

LOCK BAR LOCATION :

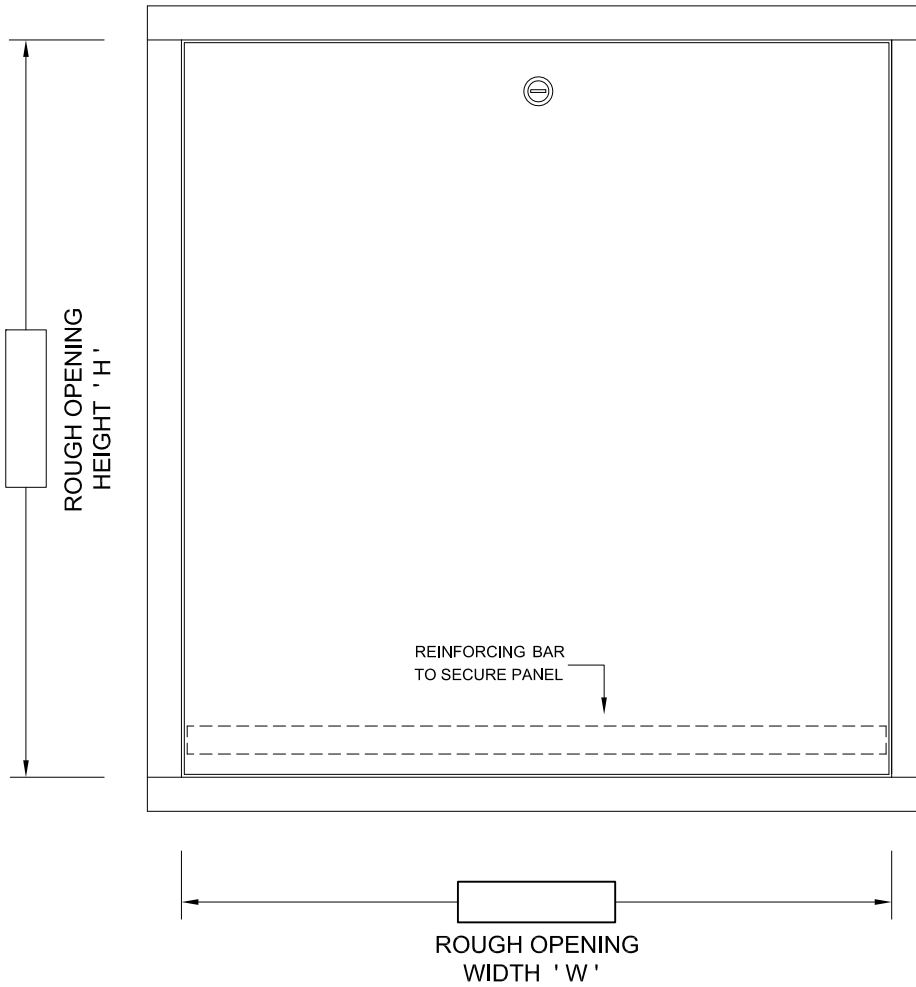
- LOCK BAR LOCATION SHOWN FOR WALL APPLICATION.
- FOR CEILING APPLICATION LOCK BAR IS PLACED ON LONG SIDE UNLESS REQUESTED OTHERWISE .

INSTALLATION :

- WALL
- CEILING

PROJECT :

- MILLIMETERS
- INCHES



FRONT ELEVATION

PROJECT: _____

PURCHASE ORDER: _____

CONTRACTOR: _____

APPROVED BY: _____

ARCH. OR ENG.: _____

DATE: _____