

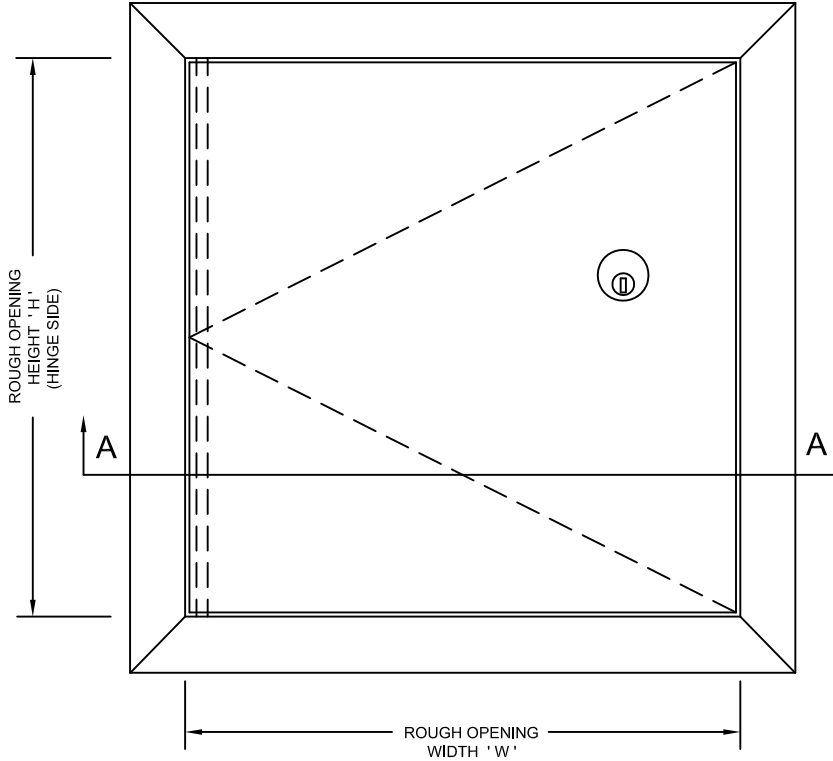


MAXAM
METAL PRODUCTS

5 7978 North Fraser Way
Burnaby, B.C. V5J 0C7
Tel: 604 433 4243
Fax: 604 433 4148
E-mail: info@maxammetal.com

MODEL NSD - Security Door
VAN-MET® NON-RATED ACCESS DOOR

Designed for applications where additional security is required.

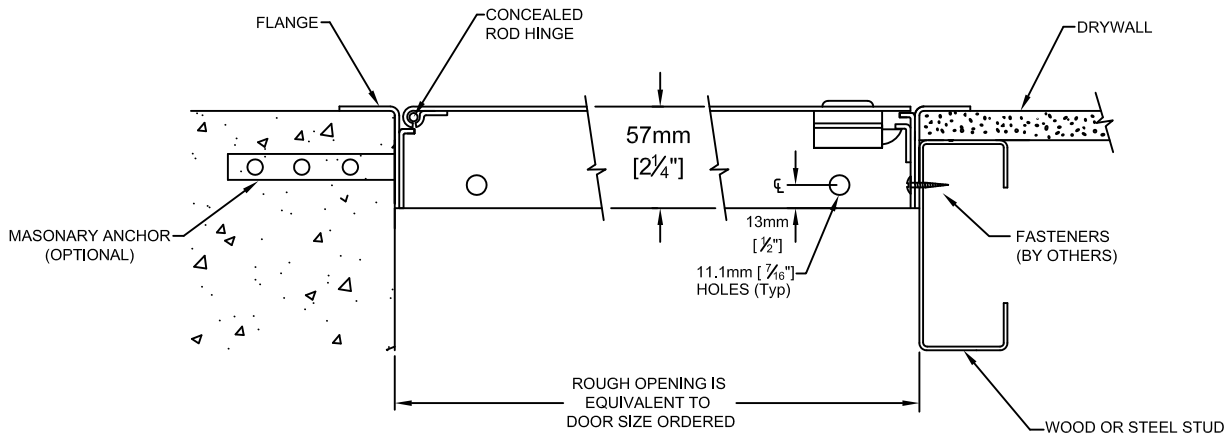


FRONT ELEVATION

STANDARD CONSTRUCTION:

- MATERIAL** - SATIN FINISH GALVANIZED (GALVANNEALED) STEEL.
- PANEL** - 2.75mm [12 ga].
- FRAME** - 2.75mm [12 ga].
- FLANGE** - 32mm [1¼"] EXTERIOR FLANGE.
- HINGE** - CONTINUOUS ROD HINGE.
- LOCK** - 1⅝" MORTISE PREP COMPLETE WITH MORTISE CYLINDER.
- FINISH** - RUST INHIBITIVE PRIME COAT (OFF-WHITE).

* Specifications subject to change without notice.



SECTION A-A

PROJECT: _____

CONTRACTOR: _____

ARCH. OR ENG.: _____

DATE: _____

These drawings are the property of Maxam Metal Products Ltd. and incorporates information which is proprietary. Publication and/or public distribution in whole or in part is expressly prohibited without the prior written consent of Maxam Metal Products Ltd. The information herein remains the property of Maxam Metal Products Ltd. All rights reserved.

DWN BY KB	DATE Feb. / 2014	DWG. NO. Sheet 1 of 2	REV.
--------------	---------------------	--------------------------	----------

