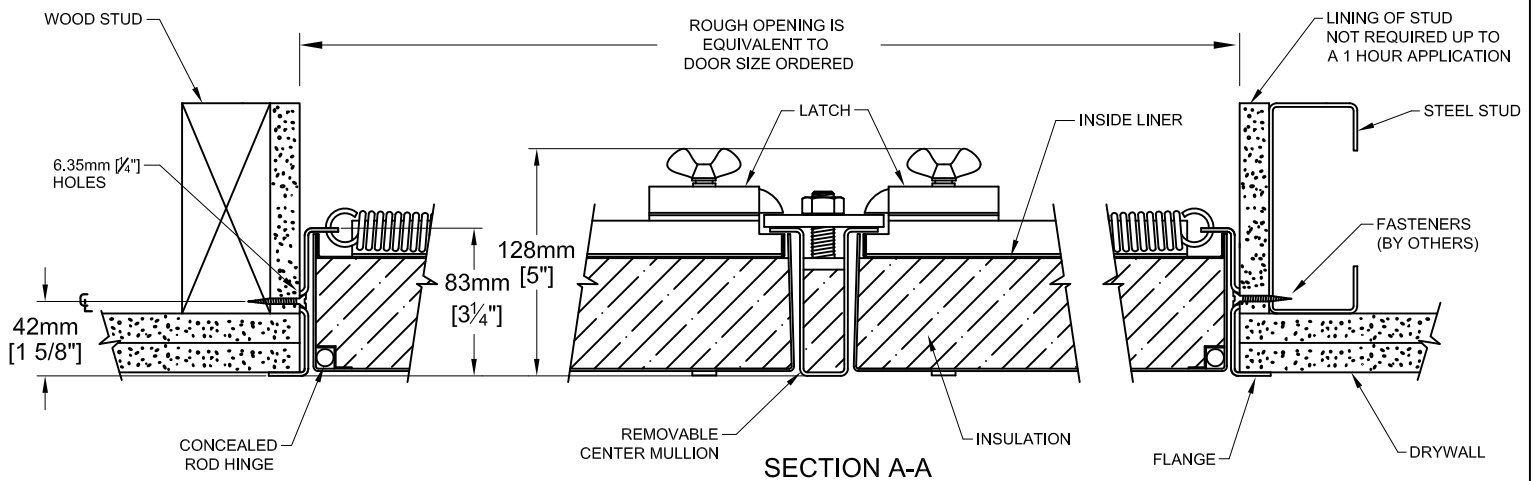
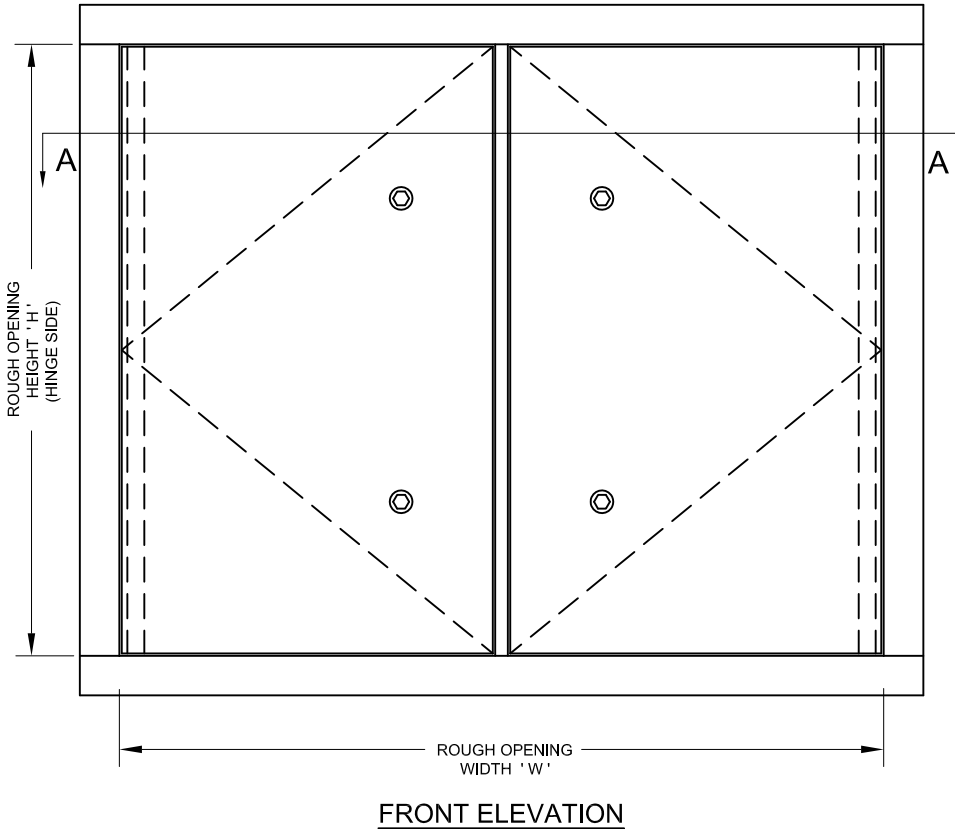


Designed to provide additional strength when large rigid doors are necessary. Largest three hour access door available on the market, offering architects and engineers flexibility in designing.

STANDARD CONSTRUCTION:

- MATERIAL** - SATIN FINISH GALVANIZED (GALVANNEALED) STEEL.
- PANEL** - 1.31mm [18 ga.], SELF CLOSING.
- LINER** - 0.85mm [22ga.]
- FRAME** - 1.61mm [16 ga.] UP TO AND INCLUDING 762mm x 1219mm [30" x 48"]. LARGER SIZES 1.99mm [14ga.]
- FLANGE** - EXTERIOR FLANGE WIDTH 22mm [$\frac{7}{8}$ "] UP TO AND INCLUDING 914mm x 914mm [36" x 36"]. LARGER SIZES 32mm [1 $\frac{1}{4}$ ".]
- HINGE** - CONTINUOUS ROD HINGE. PIANO HINGE STANDARD ON PANELS EXCEEDING 1219mm [48"] IN A WALL POSITION.
- PANEL CLOSER** - THE AUTOMATIC PANEL CLOSER WILL CLOSE AND LATCH THE DOOR FROM AN OPEN POSITION OF APPROXIMATELY 90° AS REQUIRED BY CODE.
- LATCH** - $\frac{1}{4}$ " ALLEN KEY, WITH INTERIOR RELEASE.
- INSULATION** - 63mm [2 $\frac{1}{2}$ "] HIGH TEMPERATURE.
- FINISH** - RUST INHIBITIVE PRIME COAT (OFF-WHITE).



PROJECT: _____


CONTRACTOR: _____

ARCH. OR ENG.: _____

DATE: _____

* Specifications subject to change without notice.

These drawings are the property of Maxam Metal Products Ltd. and incorporates information which is proprietary. Publication and/or public distribution in whole or in part is expressly prohibited without the prior written consent of Maxam Metal Products Ltd. The information herein remains the property of Maxam Metal Products Ltd. All rights reserved.

DWN BY KB	DATE Feb. / 2014	DWG. NO. Sheet 1 of 5	REV. 
--------------	---------------------	--------------------------	---

INSTALLATION:

The frame is manufactured with mounting holes.
See installation instructions supplied with panel.

ORDERING:

- WHEN ORDERING, PLEASE SPECIFY WALL OR CEILING APPLICATION.
- PLEASE ORDER BY ROUGH OPENING SIZE.
- WHEN ORDERING THE SECOND DIMENSION GIVEN IS THE HINGE SIDE. (ie. 457mm x 610mm [18" x 24"], THE 610mm [24"] DIMENSION IS THE HINGE SIDE.
- **THESE DOORS ARE NON-RETURNABLE.**

WARRANTY:

One Year Limited warranty. For complete details see **Access Door** warranty document.

OPTIONS:

* - DENOTES ADDITIONAL COST.

MATERIAL :-

- STANDARD MATERIAL - GALVANNEALED STEEL. SEE SHEET 1 OF 5.
- * - OPTIONAL MATERIAL - 304 STAINLESS STEEL WITH A NO. 4 POLISHED FINISH ON THE EXTERIOR SURFACE, c/w CONTINUOUS PIANO HINGE.

HARDWARE :-

- STANDARD HARDWARE - ¼" ALLEN KEY. SEE SHEET 1 OF 5.
- OPTIONAL HARDWARE
- * - CONTINUOUS PIANO HINGE. (ON PANEL LESS THAN 1219mm [48"].)



Model FDL-250 wall and ceiling fire-rated panels are manufactured under the factory inspection service of Intertek (Warnock Hersey) and have a label reading: "Listed access frame and insulated fire door assembly **3 hour fire rating. Vertical and Horizontal Installation.**" Temperature rise maximum 43°C / 77°F at 30 minutes, 149°C / 268°F at 60 minutes.

FDL-250 STANDARD SIZES

Double leaf construction for walls and ceilings.

Rough Opening Size W x H		No. of Latches/Locks	Weight in kgs.	Weight in lbs.
Metric (mm)	Inches			
1524 x 610	60 x 24	2	37.65	83.00
1524 x 762	60 x 30	2	44.91	99.00
914 x 1219	36 x 48	2	41.28	91.00
1219 x 914	48 x 36	2	41.28	91.00
1524 x 914	60 x 36	4	51.71	114.00
1016 x 1016	40 x 40	2	38.56	85.00
1016 x 1219	40 x 48	4	44.91	99.00
1219 x 1016	48 x 40	4	44.91	99.00
1524 x 1016	60 x 40	4	56.25	124.00
1219 x 1219	48 x 48	4	52.16	115.00
1524 x 1219	60 x 48	4	65.32	144.00

Double leaf construction for walls only.

610 x 1524	24 x 60	4	37.65	83.00
914 x 1524	36 x 60	4	65.32	114.00
1016 x 1524	40 x 60	4	56.25	124.00

↑ ↑ Hinge Side

Net Opening = Width minus 216mm [8½"]
Height minus 39mm [1½"]

PROJECT SCHEDULE

- millimeters
 - inches

Qty	Rough Opening Size		Wall Application	Ceiling Application
	Width	Height		
			<input type="checkbox"/>	<input type="checkbox"/>
			<input type="checkbox"/>	<input type="checkbox"/>
			<input type="checkbox"/>	<input type="checkbox"/>
			<input type="checkbox"/>	<input type="checkbox"/>
			<input type="checkbox"/>	<input type="checkbox"/>
			<input type="checkbox"/>	<input type="checkbox"/>
			<input type="checkbox"/>	<input type="checkbox"/>
			<input type="checkbox"/>	<input type="checkbox"/>
			<input type="checkbox"/>	<input type="checkbox"/>
			<input type="checkbox"/>	<input type="checkbox"/>
			<input type="checkbox"/>	<input type="checkbox"/>
			<input type="checkbox"/>	<input type="checkbox"/>

↑ Hinge Side

PROJECT: _____

PURCHASE ORDER: _____

CONTRACTOR: _____

APPROVED BY: _____

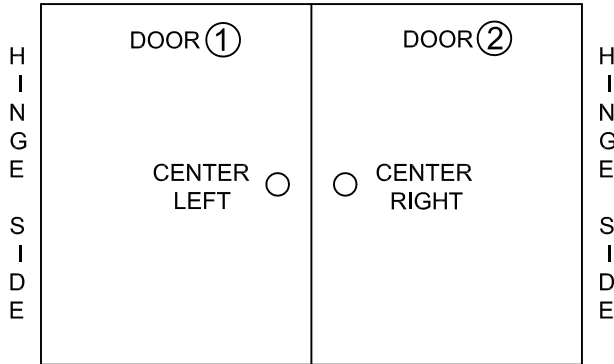
ARCH. OR ENG.: _____

DATE: _____

OPTIONS:

* - DENOTES ADDITIONAL COST.

TWO LATCHES



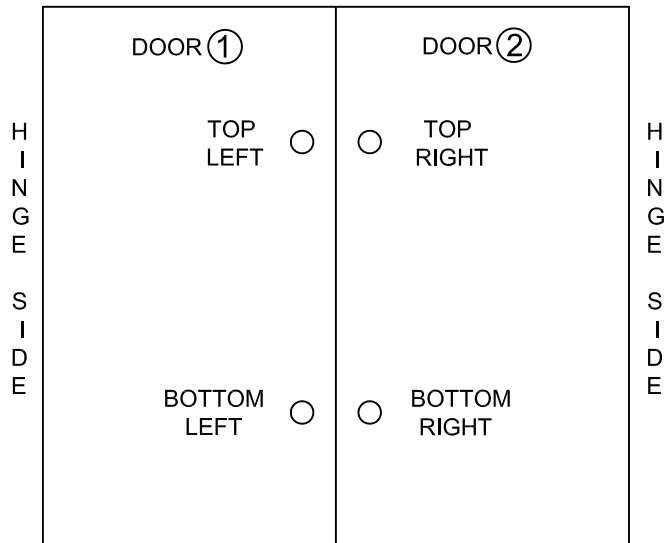
① CENTER LEFT

② CENTER RIGHT

- | | | |
|----------------------------|--|------------------------------|
| <input type="checkbox"/> | - ALLEN KEY. | - <input type="checkbox"/> |
| <input type="checkbox"/> | - RAISED KNURLED KNOB. | - <input type="checkbox"/> |
| * <input type="checkbox"/> | - NON-LOCKING HANDLE. | - <input type="checkbox"/> * |
| * <input type="checkbox"/> | - 1/8" MORTISE PREP ONLY. | - <input type="checkbox"/> * |
| * <input type="checkbox"/> | - 1/8" MORTISE PREP COMPLETE - WITH MORTISE CYLINDER. | - <input type="checkbox"/> * |
| <input type="checkbox"/> | - CONCEALED OPERATOR ONE SIDE ONLY. SELECT OPERATOR FOR OTHER SIDE FROM ABOVE OPTIONS. | |

* - DENOTES ADDITIONAL COST.

FOUR LATCHES



① TOP LEFT

② TOP RIGHT

- | | | |
|----------------------------|--|------------------------------|
| <input type="checkbox"/> | - ALLEN KEY. | - <input type="checkbox"/> |
| <input type="checkbox"/> | - RAISED KNURLED KNOB. | - <input type="checkbox"/> |
| * <input type="checkbox"/> | - NON-LOCKING HANDLE. | - <input type="checkbox"/> * |
| * <input type="checkbox"/> | - 1/8" MORTISE PREP ONLY. | - <input type="checkbox"/> * |
| * <input type="checkbox"/> | - 1/8" MORTISE PREP COMPLETE - WITH MORTISE CYLINDER. | - <input type="checkbox"/> * |
| BOTTOM LEFT | | |
| <input type="checkbox"/> | - ALLEN KEY. | - <input type="checkbox"/> |
| <input type="checkbox"/> | - RAISED KNURLED KNOB. | - <input type="checkbox"/> |
| * <input type="checkbox"/> | - NON-LOCKING HANDLE. | - <input type="checkbox"/> * |
| * <input type="checkbox"/> | - 1/8" MORTISE PREP ONLY. | - <input type="checkbox"/> * |
| * <input type="checkbox"/> | - 1/8" MORTISE PREP COMPLETE - WITH MORTISE CYLINDER. | - <input type="checkbox"/> * |
| BOTTOM RIGHT | | |
| <input type="checkbox"/> | - CONCEALED OPERATORS ONE SIDE ONLY. SELECT OPERATORS FOR OTHER SIDE FROM ABOVE OPTIONS. | |

PROJECT: _____

PURCHASE ORDER: _____

CONTRACTOR: _____

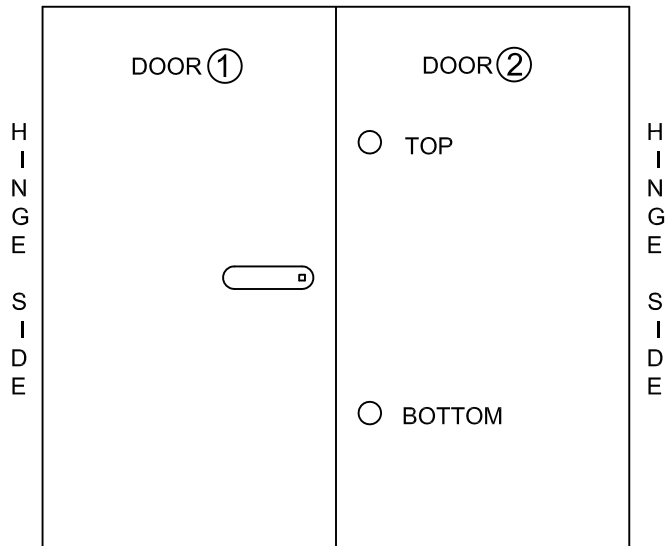
APPROVED BY: _____

ARCH. OR ENG.: _____

DATE: _____

OPTIONS:

* - ONE CENTRAL POINT HANDLE - FOUR LATCHES



* - DENOTES ADDITIONAL COST.

FIRST DOOR ①

CENTRAL POINT HANDLE CONTROLS TWO CONCEALED LATCHES ON DOOR.

SECOND DOOR ②

TOP

- RAISED KNURLED KNOB.

* - 1/8" MORTISE PREP ONLY.

* - 1/8" MORTISE PREP COMPLETE WITH MORTISE CYLINDER.

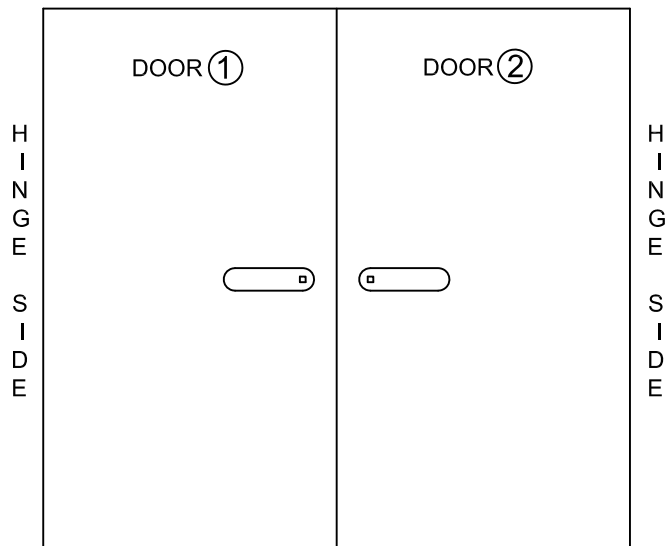
BOTTOM

- RAISED KNURLED KNOB.

* - 1/8" MORTISE PREP ONLY.

* - 1/8" MORTISE PREP COMPLETE WITH MORTISE CYLINDER.

* - TWO CENTRAL POINT HANDLES - FOUR LATCHES



* - DENOTES ADDITIONAL COST.

FIRST DOOR ①

CENTRAL POINT HANDLE CONTROLS TWO CONCEALED LATCHES ON DOOR.

SECOND DOOR ②

CENTRAL POINT HANDLE CONTROLS TWO CONCEALED LATCHES ON DOOR.

PROJECT: _____

PURCHASE ORDER: _____

CONTRACTOR: _____

APPROVED BY: _____

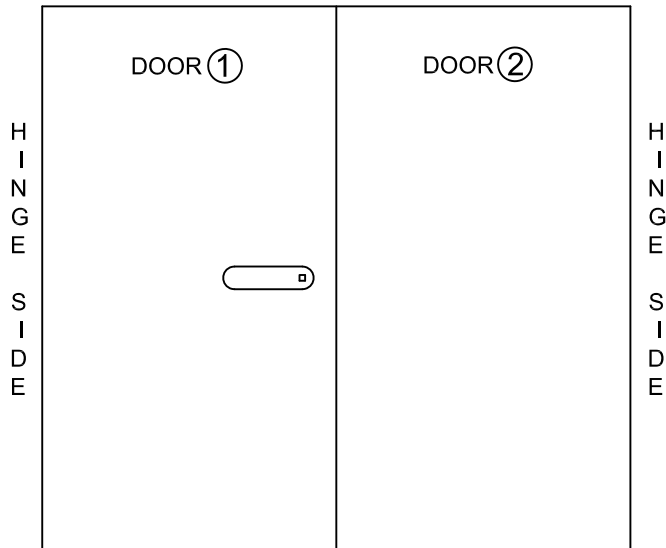
ARCH. OR ENG.: _____

DATE: _____

OPTIONS:

* - DENOTES ADDITIONAL COST.

* - ONE CENTRAL POINT HANDLE - FOUR LATCHES

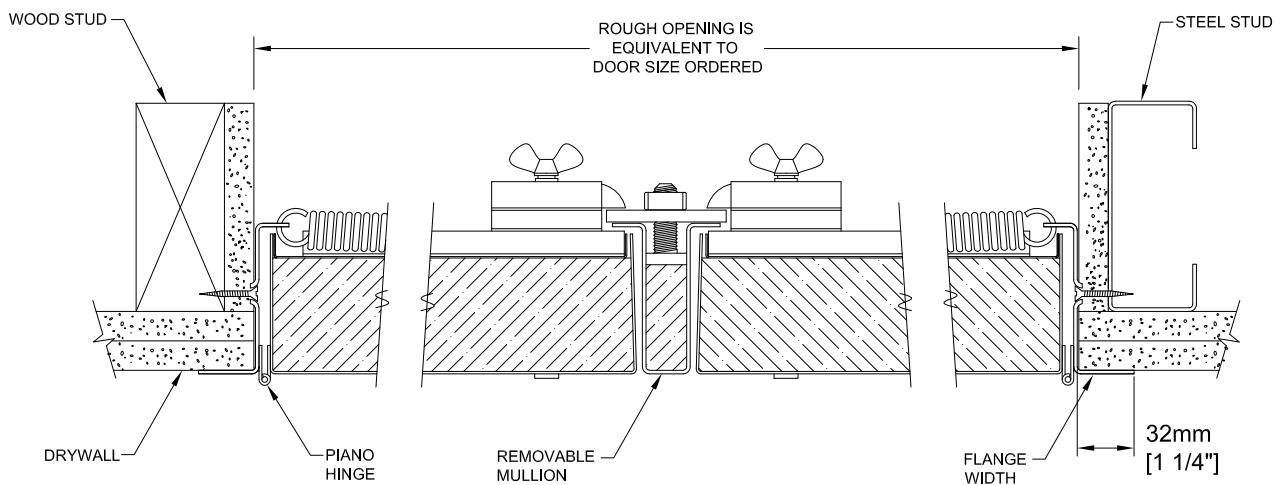


FIRST DOOR ①

CENTRAL POINT HANDLE CONTROLS TWO CONCEALED LATCHES ON DOOR.

SECOND DOOR ②

TWO CONCEALED LATCHES ON DOOR. OPERABLE FROM THE INSIDE ONLY.



OPTIONAL PIANO HINGE (SEE SPECIFICATIONS)

MANDATORY ON DOOR PANELS EXCEEDING 1219mm [48"].

PROJECT: _____

PURCHASE ORDER: _____

CONTRACTOR: _____

APPROVED BY: _____

ARCH. OR ENG.: _____

DATE: _____