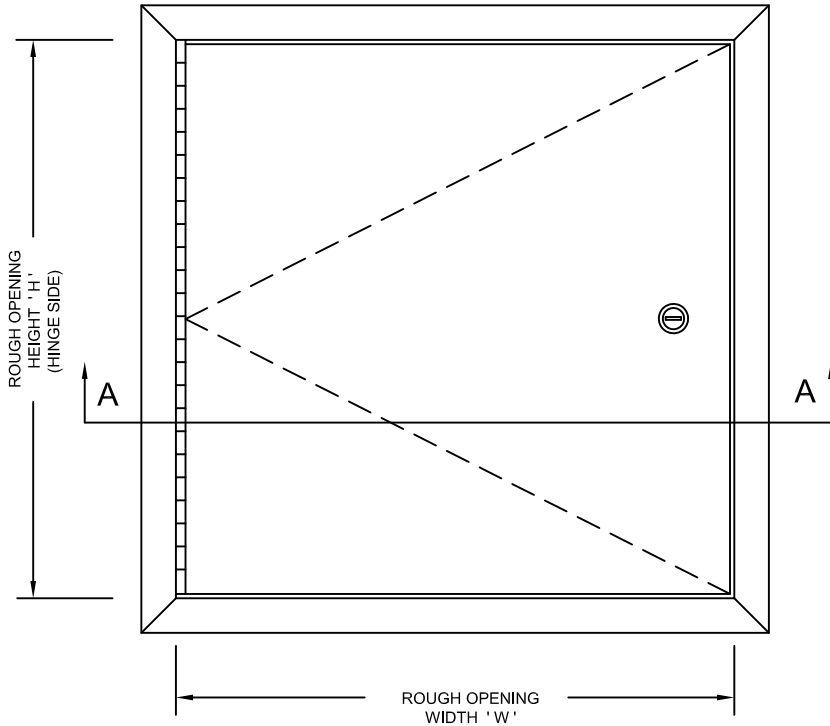


Stainless steel, Air and Water Resistant.

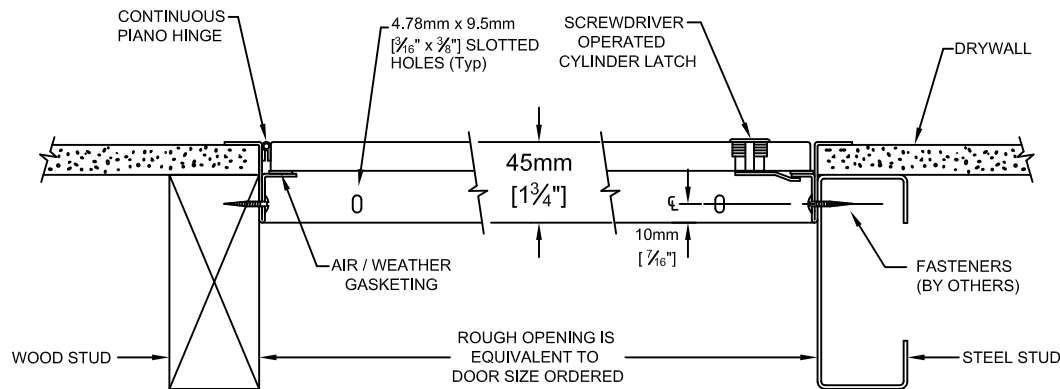


FRONT ELEVATION

STANDARD CONSTRUCTION:

- MATERIAL** - 304 STAINLESS STEEL.
- PANEL** - 1.61mm [16 ga]
- FRAME** - 1.61mm [16 ga]
- FLANGE** - 19mm [¾"] EXTERIOR FLANGE UP TO AND INCLUDING 914mm x 914mm [36" x 36"]. LARGER SIZES- 32mm [1¼"].
- HINGE** - CONTINUOUS STAINLESS STEEL PIANO HINGE. [OPENS TO 180°]
- LATCH** - SCREWDRIVER OPERATED CYLINDER CAM LATCH. NUMBER OF LATCHES VARIES WITH SIZE OF DOOR.
- GASKET** - FRAME GASKETED ON ALL FOUR SIDES.
- FINISH** - No.4 POLISHED STAINLESS STEEL FINISH ON THE EXTERIOR SURFACE.

* Specifications subject to change without notice.



SECTION A-A


PROJECT: _____

CONTRACTOR: _____

ARCH. OR ENG.: _____

DATE: _____

These drawings are the property of Maxam Metal Products Ltd. and incorporates information which is proprietary. Publication and/or public distribution in whole or in part is expressly prohibited without the prior written consent of Maxam Metal Products Ltd. The information herein remains the property of Maxam Metal Products Ltd. All rights reserved.

DWN BY KB	DATE Feb. / 2014	DWG. NO. Sheet 1 of 2	REV. 
--------------	---------------------	--------------------------	---

INSTALLATION:

The frame is manufactured with mounting holes. Factory installed anchor straps are available for masonry, upon request.

ORDERING:

- PLEASE ORDER BY ROUGH OPENING SIZE.
- WHEN ORDERING THE SECOND DIMENSION GIVEN IS THE HINGE SIDE. (ie. 457mm x 610mm [18" x 24"], THE 610mm [24"] DIMENSION IS THE HINGE SIDE.
- THESE DOORS ARE NON-RETURNABLE.

WARRANTY:

One Year Limited warranty. For complete details see **Access Door** warranty document.

OPTIONS: * - DENOTES ADDITIONAL COST.

- * - 1/4" ALLEN KEY CYLINDER LATCH.
- * - NON-LOCKING TWO POSITION HANDLE.
- * - CYLINDER KEY LOCK (NON RE-KEYABLE) KEYED ALIKE.
- * - 1/8" MORTISE PREP ONLY.
- * - 1/8" MORTISE PREP COMPLETE WITH MORTISE CYLINDER.
- * - 25mm [1"] FOIL FACED INSULATION.
- * - MASONRY ANCHORS ATTACHED.

NGS - STANDARD SIZES

In Stock	Rough Opening Size W x H		No. of Screwdriver Operated Cylinders	Weight in kgs.	Weight in lbs.
	Metric (mm)	Inches			
	203 x 203	8 x 8	1	1.92	4.25
	254 x 254	10 x 10	1	2.38	5.25
■	305 x 305	12 x 12	1	3.06	6.75
	356 x 356	14 x 14	1	3.74	8.25
	406 x 406	16 x 16	1	4.53	10.00
■	457 x 457	18 x 18	1	5.44	12.00
	508 x 508	20 x 20	1	6.35	14.00
■	610 x 610	24 x 24	2	8.39	18.50
	610 x 914	24 x 36	2	11.79	26.00
	610 x 1219	24 x 48	3	15.87	35.00
	762 x 762	30 x 30	4	12.13	26.75
	762 x 914	30 x 36	4	14.06	31.00
	762 x 1219	30 x 48	5	19.05	42.00
	762 x 1524	30 x 60	5	22.68	50.00
	914 x 914	36 x 36	4	16.32	36.00
	914 x 1219	36 x 48	5	21.77	48.00
	914 x 1524	36 x 60	5	26.30	58.00
	914 x 1981	36 x 78	5	34.02	75.00



Net Opening = Width minus 39mm [1 1/2"]
Height minus 39mm [1 1/2"]

PROJECT SCHEDULE

- millimeters
- inches

Qty	Rough Opening Size		Options
	Width	Height	



Model NGS met the performance criteria as per CSA A440-00 (windows) for an Air Infiltration of A-3 for both 75 Pa and 300Pa, for Air Ex-infiltration the sample met an A-3 rating at 75 Pa and an A-2 rating at 300 Pa. In Water Tightness by Static Pressure the door sample met a B-1 rating, subject to using an optional watertight mechanism, phone for details.

Testing performed by Intertek (Warnock Hersey)



PROJECT: _____

CONTRACTOR: _____

ARCH. OR ENG.: _____

DATE: _____

PURCHASE ORDER: _____

APPROVED BY: _____