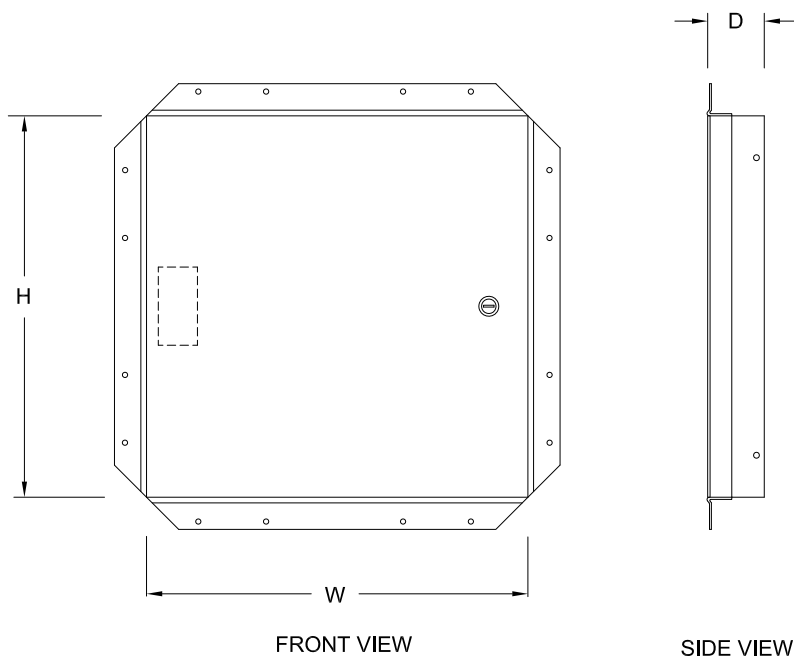
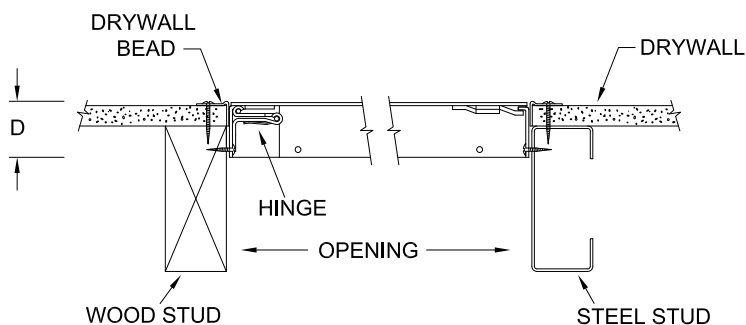


VAN-MET® MODEL NDB - Drywall Bead Flange

manufactured to the **Van-Met®** design standard



- Ideal when a smooth appearance is desired, only the door panel is visible after installation.
- Designed with a galvanized steel drywall bead taping flange, specifically for use with drywall.
- Install after the drywall has been applied.
- Drywall compound is applied over the drywall bead taping flange at the same time the drywall joints are finished.
- Van-Met concealed zinc plated spring hinges allow panel to open 175° for easy access.
- Exterior appearance is compatible with the non-rated and fire-rated Van-Met access door line, so uniformity of design is maintained when the doors are installed in the same building.



Available in stock sizes or made to your specifications.

Materials

Satin finish galvanized steel or 304 stainless steel
 Frame – 1.61mm (16ga)
 Panel – 1.99mm (14ga)

Finishes

The paint finish is a rust inhibitive off-white prime coat or a No. 4 polished stainless steel finish on the exterior surface.

Hinge

The Van-Met concealed zinc plated spring hinges allow the door panel to open 175°. Number of hinges varies with the size of door, and the placement of the hinge is on the long side of the door ("H" dimension) unless otherwise requested.

Latch

Standard

Screwdriver operated cam latch(es)

Optional Latches

Torx head cam
 $\frac{3}{16}$ " allen key cam
 Non-locking two position handle

Optional Locks

Cylinder key lock
 $1 \frac{1}{8}$ " mortise prep complete with mortise cylinder

Optional

$1 \frac{1}{8}$ " mortise prep only

Flange

Galvanized steel drywall bead taping flange

Frame Depth

"D" = 45mm ($1 \frac{3}{4}$ ")

Ordering

Please order by rough opening size. These doors are non-returnable.

Installation

The outer galvanized steel taping flange and inner frame are manufactured with pre-punched mounting holes. For a square fit, keep the door panel closed while installing.