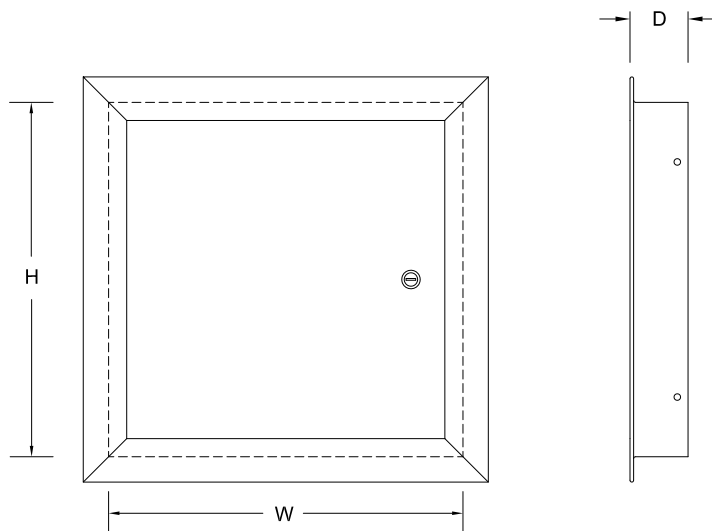
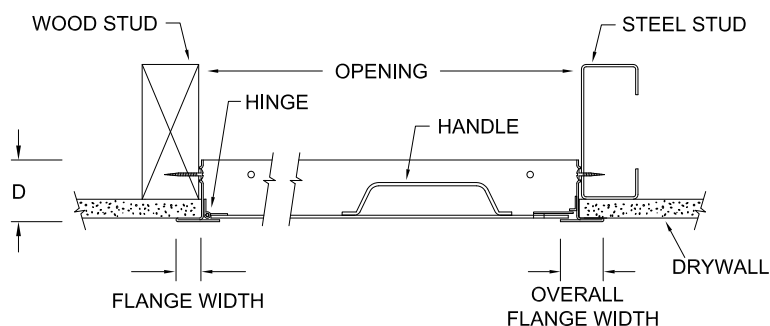


## VAN-MET<sup>®</sup> MODEL NUP - Upward, Inward Opening Panel

manufactured to the Van-Met<sup>®</sup> design standard



- Designed for applications when a door panel cannot swing downward or outward.
- Compliments your design situations for those unique applications.
- Perfect for use above fixed ladders in hallways, etc.
- Back of the door panel comes standard with an inside handle.
- Available in multi-leaf panels, which are attached to each other with a concealed piano hinge.
- Available with double-leaf panels.
- Exterior appearance is compatible with the non-rated and fire-rated Van-Met access door line, so uniformity of design is maintained when the doors are installed in the same building.



### Materials

Satin finish galvanized steel or 304 stainless steel  
 Frame – 1.61mm (16ga)  
 Panel – 1.61mm (16ga)

### Finishes

The paint finish is a rust inhibitive off-white prime coat or a No. 4 polished stainless steel finish on the exterior surface.

### Hinge

The concealed continuous piano hinge allows the door panel to open inward to 95°. The hinge is placed on the long side of the door ("H" dimension) unless otherwise requested.

### Latch

#### Standard

Screwdriver operated cam latch(es)

#### Optional Latches

Torx head cam  
 3/16" allen key cam  
 Non-locking two position handle

#### Optional Locks

Cylinder key lock  
 1 1/8" mortise prep complete with mortise cylinder

#### Optional

1 1/8" mortise prep only

### Insulation

#### Optional

25mm (1") foil faced insulation

### Flange

Exterior flange  
 Width - 22mm (7/8")  
 Overall width - 38mm (1 1/2")

### Frame Depth

"D" = 51mm (2")

### Ordering

Please order by rough opening size. These doors are non-returnable.

### Installation

The frame is manufactured with embossed mounting holes.