



Maxam Metal Products Ltd.
British Columbia, Canada

Tel: 604-433-4243
Fax: 604-433-4148

Toll Free Tel: 1-866-446-2926
Toll Free Fax: 1-866-436-2926

Website: www.maxammetal.com
Email: info@maxammetal.com

48" X 48" [1219mm X 1219mm] ROOF HATCH

FACTORY FINISHES

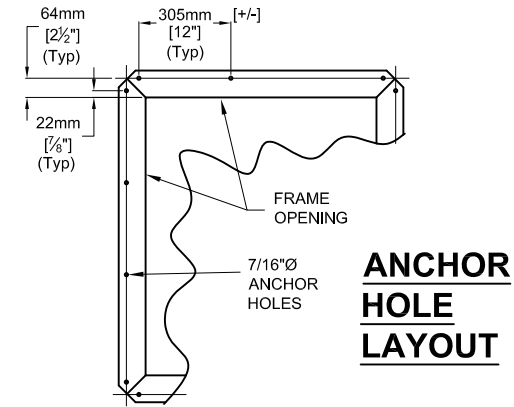
ALUMINUM - MILL FINISH

HARDWARE - STAINLESS STEEL SPRING LATCH c/w
INTERNAL & EXTERNAL PADLOCK HASPS.

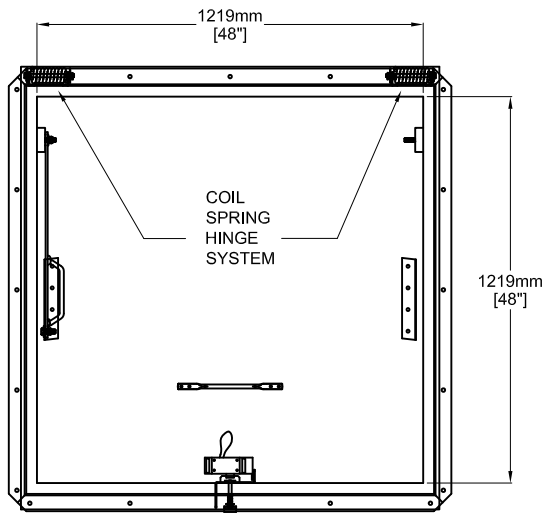
NOTE: - HOLD OPEN ARM - STANDARD POWDER COATED
SAFETY RED.
- NUMBER OF HINGES AND COIL SPRINGS WILL
VARY WITH SIZE OF HATCH.
- HOLD OPEN ARM DESIGNED TO BE MOVABLE
FROM ONE SIDE TO ANOTHER TO
ACCOMMODATE SITE CONDITION.

* Specifications subject to change without notice.

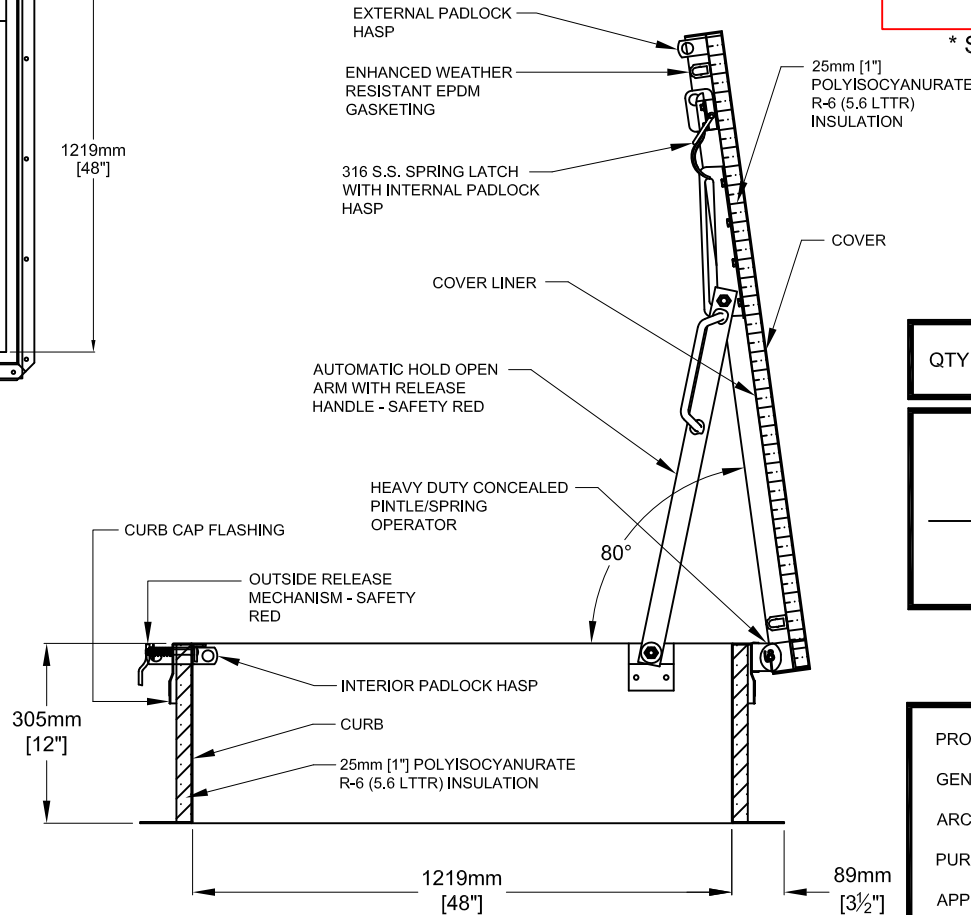
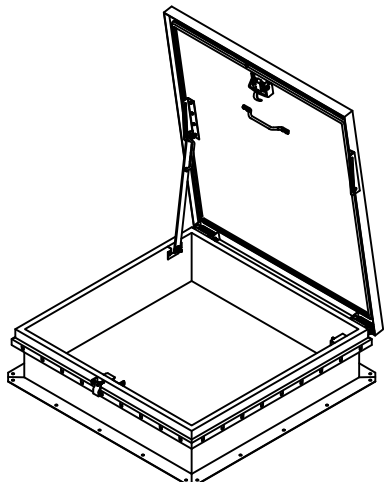
LIMITED 5 YEAR WARRANTY



ANCHOR HOLE LAYOUT



PLAN VIEW



SECTION

QTY	MODEL	MATERIAL	COVER	CURB	COVER LINER
-----	-------	----------	-------	------	-------------

1	RHA-20	ALUM	ALUM 12 ga 2.05mm	ALUM 10 ga 2.60mm	ALUM 12 ga 2.05mm
---	--------	------	-------------------------	-------------------------	-------------------------

PROJECT: _____
 GEN. CONTRACTOR: _____
 ARCH. OR ENG.: _____
 PURCHASE ORDER: _____ DATE: _____
 APPROVED BY: _____