



Maxam Metal Products Ltd.
British Columbia, Canada

Tel: 604-433-4243
Fax: 604-433-4148

Toll Free Tel: 1-866-446-2926
Toll Free Fax: 1-866-436-2926

Website: www.maxammetal.com
Email: info@maxammetal.com

30" X 96" [762mm X 2438mm] ROOF HATCH

FACTORY FINISHES

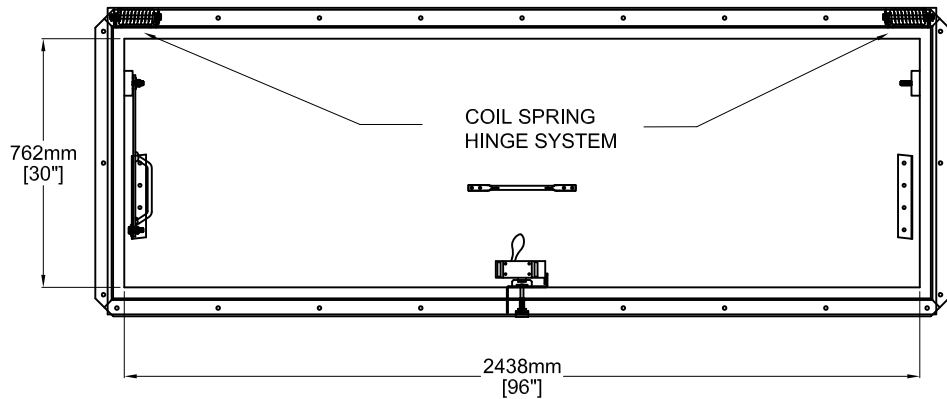
ALUMINUM - MILL FINISH

HARDWARE - STAINLESS STEEL SPRING LATCH c/w
INTERNAL & EXTERNAL PADLOCK HASPS.

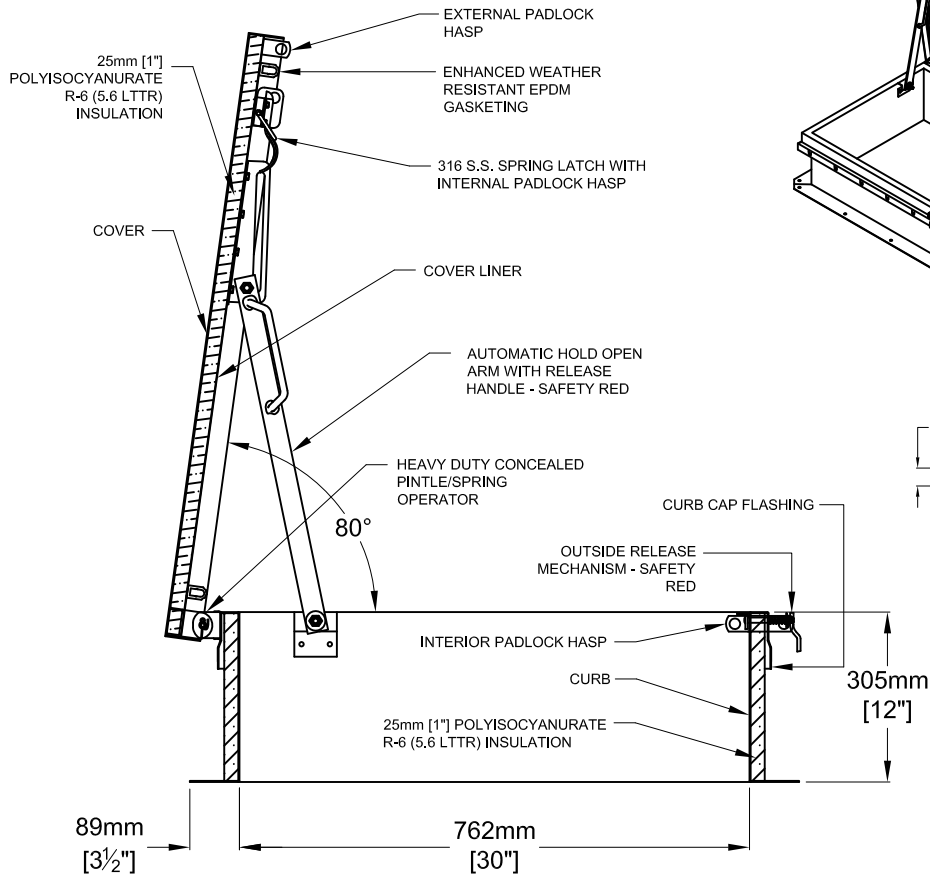
NOTE: - HOLD DOWN ARM - STANDARD POWDER COATED
SAFETY RED.
- NUMBER OF HINGES AND COIL SPRINGS WILL
VARY WITH SIZE OF HATCH.
- HOLD OPEN ARM DESIGNED TO BE MOVABLE
FROM ONE SIDE TO ANOTHER TO
ACCOMMODATE SITE CONDITION.

* Specifications subject to change without notice.

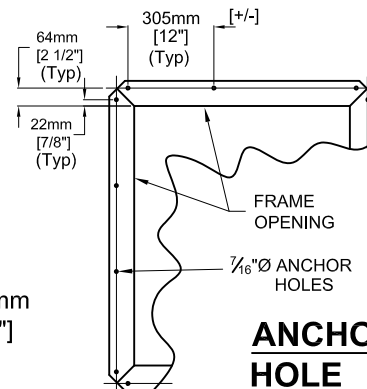
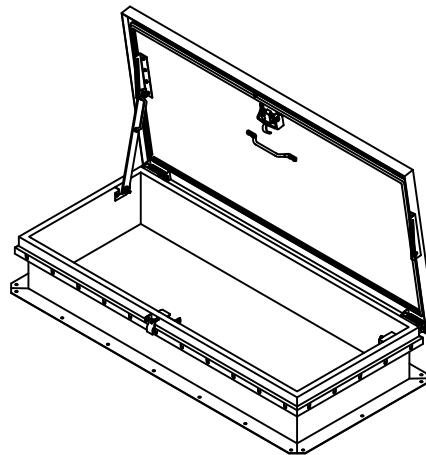
LIMITED 5 YEAR WARRANTY



PLAN VIEW



SECTION



ANCHOR HOLE LAYOUT

QTY	MODEL	MATERIAL	COVER	CURB	COVER LINER
-----	-------	----------	-------	------	-------------

1	RHA-22	GALV. STEEL	ALUM 12 ga 2.05mm	ALUM 10 ga 2.60mm	ALUM 12 ga 2.05mm
---	--------	-------------	-------------------	-------------------	-------------------

PROJECT: _____

GEN. CONTRACTOR: _____

ARCH. OR ENG.: _____

PURCHASE ORDER: _____ DATE: _____

APPROVED BY: _____