



Maxam Metal Products Ltd.
British Columbia, Canada

Tel: 604-433-4243
Fax: 604-433-4148

Toll Free Tel: 1-866-446-2926
Toll Free Fax: 1-866-436-2926

Website: www.maxammetal.com
Email: info@maxammetal.com

36" X 24" [914mm X 610mm] ROOF HATCH

FACTORY FINISHES

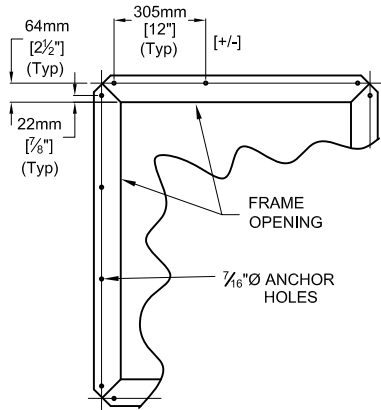
GALVANIZED (GALVANNEALED) STEEL - GREY PRIMER.

ALUMINUM - MILL FINISH

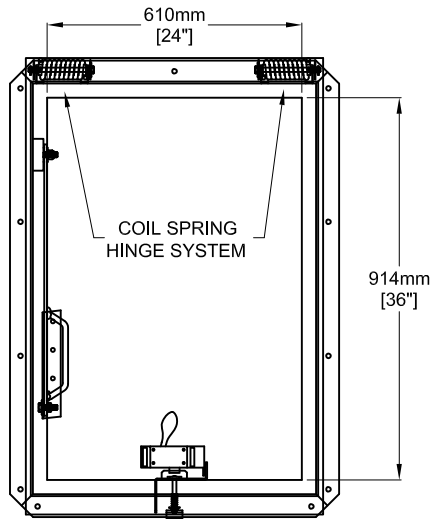
HARDWARE - STAINLESS STEEL SPRING LATCH c/w
INTERNAL & EXTERNAL PADLOCK HASPS.

NOTE : - HOLD OPEN ARM - STANDARD POWDER COATED
SAFETY RED.
- NUMBER OF HINGES AND COIL SPRINGS WILL
VARY WITH SIZE OF HATCH.

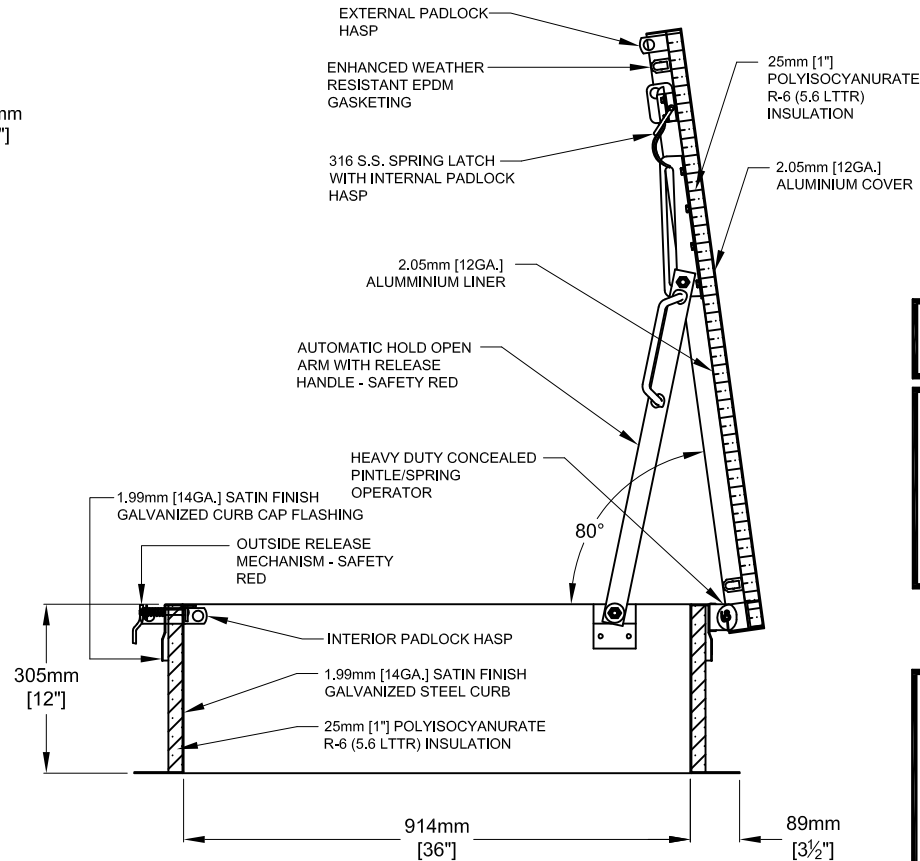
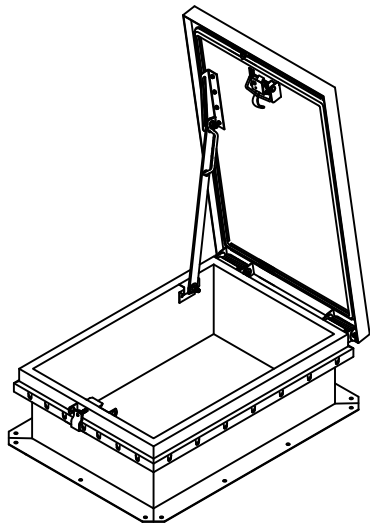
* Specifications subject to change without notice.



ANCHOR HOLE LAYOUT



PLAN VIEW



SECTION

LIMITED 5 YEAR WARRANTY

QTY	MODEL	MATERIAL	COVER	CURB	COVER LINER
—	RSA-0	Alum. / Galv. Steel	Alum. 12 ga 2.05mm	Steel 14 ga 1.99mm	Alum. 12 ga 2.05mm

PROJECT: _____

GEN. CONTRACTOR: _____

ARCH. OR ENG.: _____

PURCHASE ORDER: _____ DATE: _____

APPROVED BY: _____