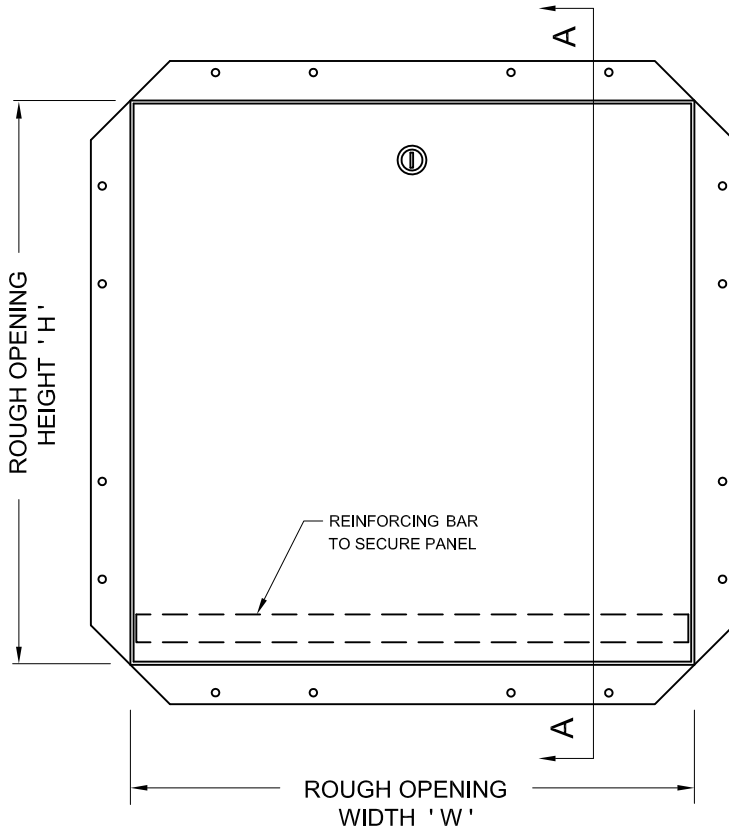


Designed with a galvanized steel drywall bead taping flange, specifically for use with drywall and a reinforcing bar that secures the door panel onto the frame. Ideal when door panel needs to be removed, providing unobstructed access.



FRONT ELEVATION

STANDARD CONSTRUCTION:

MATERIAL - SATIN FINISH GALVANIZED (GALVANNEALED) STEEL.

PANEL - 1.99mm [14 ga.] c/w SAFETY CHAIN.

FRAME - 1.61mm [16 ga.]

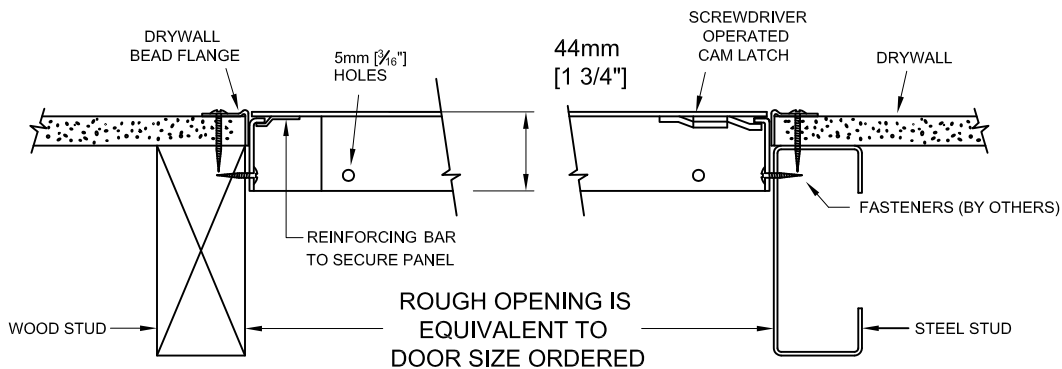
FLANGE - GALVANIZED STEEL DRYWALL BEAD TAPING FLANGE.

HINGE - PANEL REMOVABLE, NO HINGES.
NOTE: WHEN PANELS ARE USED IN A WALL INSTALLATION, THE REINFORCING BAR MUST BE LOCATED ON THE FLOOR SIDE.

LATCH - SCREWDRIVER OPERATED CAM LATCH. NUMBER OF LATCHES VARIES WITH SIZE OF DOOR.

FINISH - RUST INHIBITIVE PRIME COAT (OFF-WHITE).

* Specifications subject to change without notice.



SECTION A-A

PROJECT: _____

CONTRACTOR: _____

ARCH. OR ENG.: _____

DATE: _____

These drawings are the property of Maxam Metal Products Ltd. and incorporates information which is proprietary. Publication and/or public distribution in whole or in part is expressly prohibited without the prior written consent of Maxam Metal Products Ltd. The information herein remains the property of Maxam Metal Products Ltd. All rights reserved.

DWN BY KB	DATE Feb. / 2018	DWG. NO. Sheet 1 of 3	REV. 1
--------------	---------------------	--------------------------	-----------

INSTALLATION:

Installed after the drywall has been applied. The outer galvanized steel tapping flange and inner frame are manufactured with pre-punched mounting holes. For square fit, keep the door panel closed while installing. Drywall compound is applied over the beading at the same time the drywall joints are finished.

ORDERING:

- PLEASE ORDER BY ROUGH OPENING SIZE.
- THE REINFORCING BAR IS LOCATED ON THE " W " DIMENSION WHICH IS THE FIRST NUMBER CITED WHEN PLACING AN ORDER.
- THESE DOORS ARE NON-RETURNABLE.

WARRANTY:

One Year Limited warranty. For complete details see **Access Door** warranty document.

OPTIONS: * - DENOTES ADDITIONAL COST.

- * - 3/16" ALLEN KEY CAM.
- * - TORX HEAD CAM.
- * - NON-LOCKING TWO POSITION HANDLE.
- * - CYLINDER KEY LOCK (NON RE-KEYABLE) KEYED ALIKE.
- * - 304 STAINLESS STEEL WITH A NO. 4 POLISHED FINISH ON THE EXTERIOR SURFACE.

PROJECT SCHEDULE - millimeters
 - inches

NDR - STANDARD SIZES

Rough Opening Size W x H		No. of Latches	Weight in kgs.	Weight in lbs.
Metric (mm)	Inches			
203 x 203	8 x 8	3	1.70	3.75
305 x 305	12 x 12	3	2.63	5.80
356 x 356	14 x 14	3	3.62	8.00
406 x 406	16 x 16	4	4.53	10.00
457 x 457	18 x 18	4	5.55	12.25
457 x 610	18 x 24	6	6.91	15.25
508 x 508	20 x 20	6	6.57	14.50
610 x 610	24 x 24	6	8.84	19.50

Qty	Rough Opening Size		Options
	Width	Height	

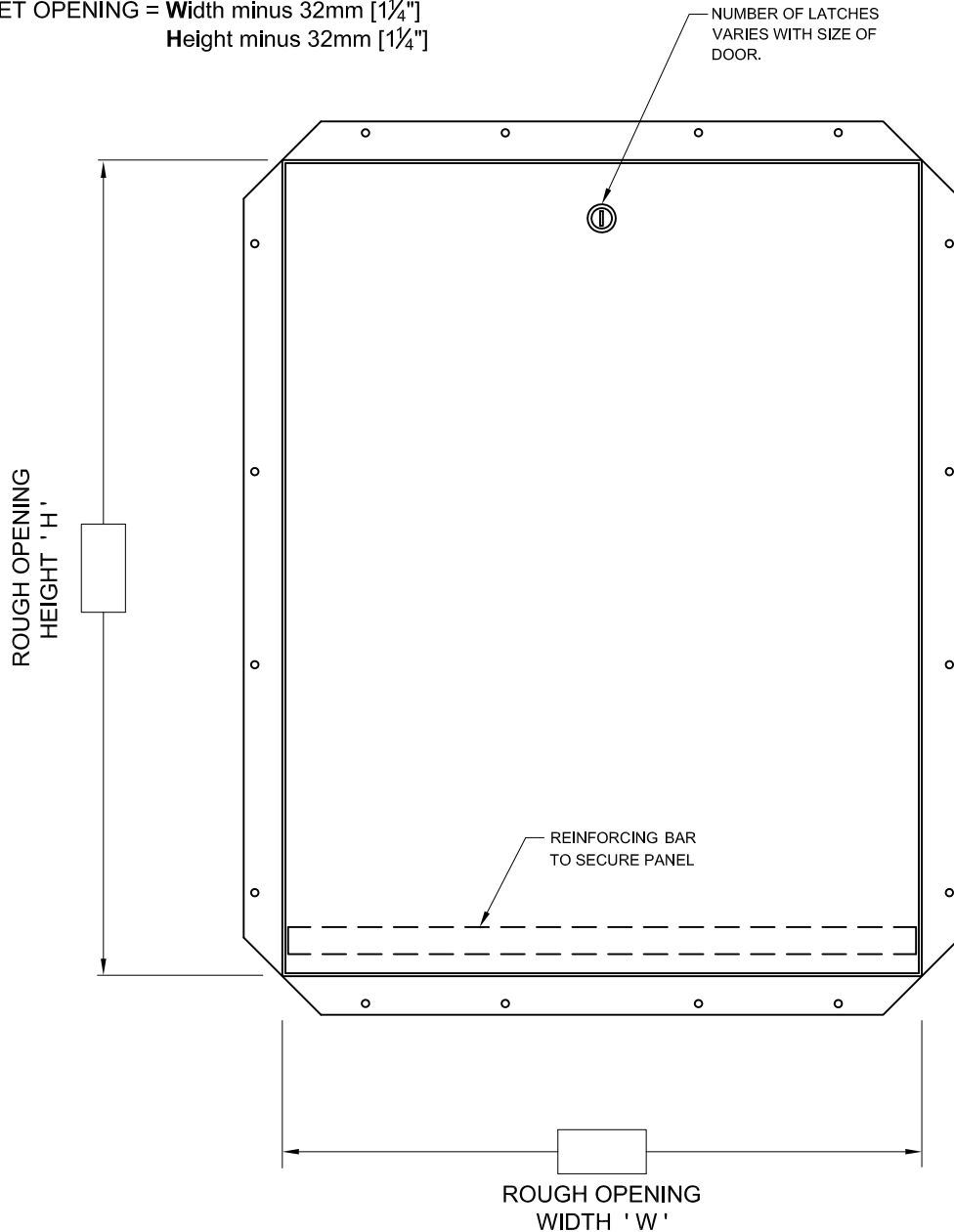
Net Opening = Width minus 32mm [1¼"]
 Height minus 32mm [1¼"]

PROJECT: _____
 CONTRACTOR: _____
 ARCH. OR ENG.: _____
 DATE: _____

PURCHASE ORDER: _____
 APPROVED BY: _____

ORDERING:

- PLEASE ORDER BY ROUGH OPENING SIZE.
- THE REINFORCING BAR IS LOCATED ON THE " W " DIMENSION WHICH IS THE FIRST NUMBER CITED WHEN PLACING AN ORDER.
- NET OPENING = **Width** minus 32mm [$1\frac{1}{4}$ "]
Height minus 32mm [$1\frac{1}{4}$ "]



PROJECT: _____

PURCHASE ORDER: _____

CONTRACTOR: _____

APPROVED BY: _____

ARCH. OR ENG.: _____

DATE: _____