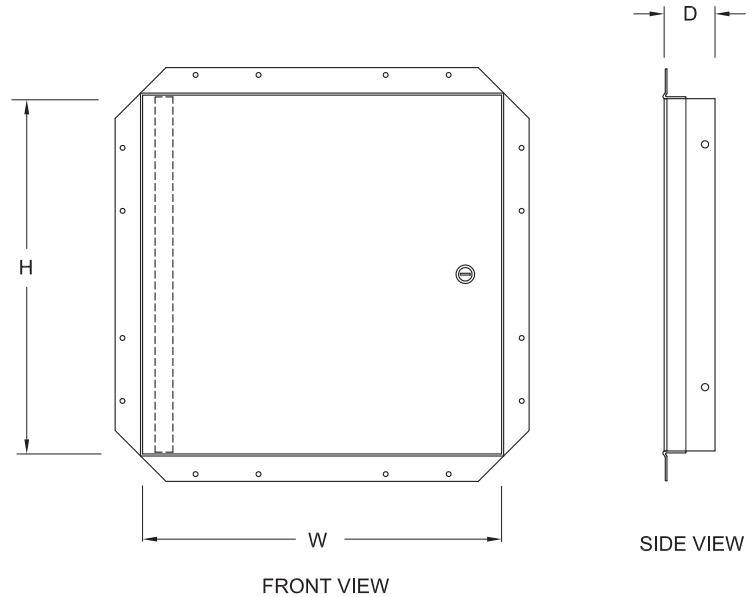
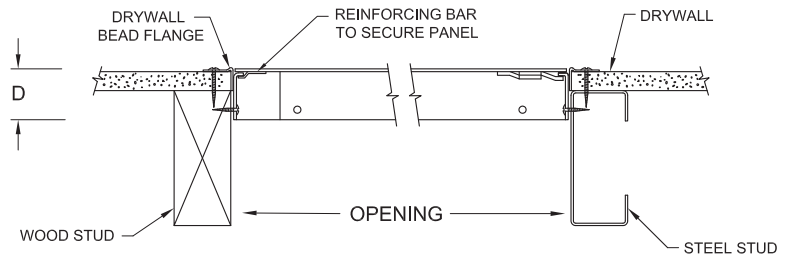


**VAN-MET® MODEL NDR - Drywall Bead Flange/  
Removable Panel**

manufactured to  
the **Van-Met®**  
design standard



- The panel has a reinforcing bar that secures the panel onto the frame and is located on the “W” dimension which is the first number cited when placing an order. Simply unlatch the panel and remove.
- Ideal when the panel needs to be removed, providing unobstructed access.
- Ideal when a smooth appearance is desired, only the door panel is visible after installation.
- Designed with a galvanized steel drywall bead tapping flange, specifically for use with drywall.
- Install after the drywall has been applied.
- Drywall compound is applied over the drywall bead tapping flange at the same time the drywall joints are finished.
- Exterior appearance is compatible with the non-rated and fire-rated Van-Met access door line, so uniformity of design is maintained when the doors are installed in the same building.



**Materials**

Satin finish galvanized steel or 304 stainless steel  
Frame - 1.61mm (16ga)  
Panel - 1.99mm (14ga)

**Finishes**

The paint finish is a rust inhibitive off-white prime coat or a No. 4 polished stainless steel finish on the exterior surface.

**Hinge**

This door does not have any hinges because the panel is designed to be removed.

**Latch**

**Standard**

Screwdriver operated cam latch(es)

**Optional Latches**

Torx head cam  
3/16" allen key cam  
Non-locking two position handle

**Optional Locks**

Cylinder Key Lock

**Flange**

Galvanized steel drywall bead tapping flange

**Panel**

Complete with safety chain

**Frame Depth**

“D” = 45mm (1 3/4")

**Ordering**

Please order by rough opening size.  
These doors are non-returnable.

**Installation**

The outer galvanized steel tapping flange and inner frame are manufactured with pre-punched mounting holes.  
For a square fit, keep the door panel closed while installing.