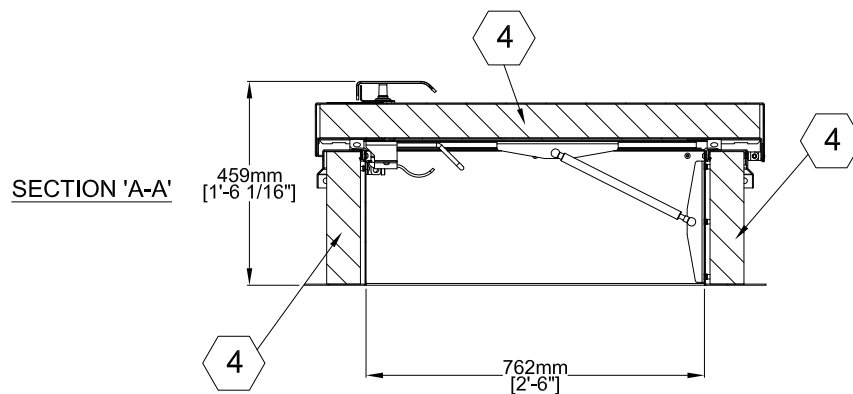
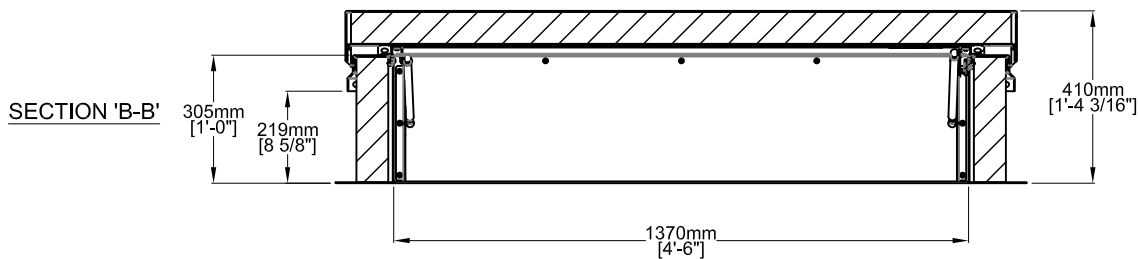


TOP VIEW - (IN CLOSED POSITION)



SECTION 'A-A'



SECTION 'B-B'

SPECIFICATIONS:

- ① COVER - 2.31mm [11 Ga.] ALUM, STIFFENED TO WITHSTAND A LIVE LOAD OF 40 psf WITH A MAX. DEFLECTION OF 1/150 OF THE SPAN.
- ② CURB - 2.31mm [11Ga.] ALUM, CURB COUNTERFLASH WITH MEMBRANE CLIPS.
- ③ FINISH - MILL.
- ④ INSULATION - 3" POLYISO R-20 IN CURB.
3" POLYISO R-20 IN COVER
- ⑤ GASKET - EXTRUDED EPDM RUBBER ADHESIVE BACKED GASKET SEAL CONTINUOUS AROUND COVER.
- ⑥ SPRING - GAS SPRING WITH DAMPER FOR SMOOTH, CONTROLLED, COUNTERBALANCED LIFT ASSIST.
- ⑦ HINGE - PINTLE HINGE WITH STAINLESS STEEL HINGE PINS.
- ⑧ HOLD OPEN ARM - ZINC PLATED STEEL AUTOMATIC HOLD LOCKS COVER IN FULLY OPEN POSITION WITH RED VINYL GRIP HANDLE PULL RELEASE.
- ⑨ LATCH - ZINC PLATED STEEL SLAM LATCH, HOLDS COVER CLOSED AGAINST 20 psf WIND UPLIFT, INTERIOR AND EXTERIOR HANDLES WITH PADLOCK HASPS.
- ⑩ PULL HANDLE - INTERIOR PULL DOWN HANDLE, SAFETY YELLOW POWDER COAT.

NOTES:

- WHEN INSTALLING ON A PITCHED ROOF UP TO 7:12, THE HINGE SIDE (LENGTH) MUST BE PARALLEL TO THE SLOPE.
- WIDTH x LENGTH DIMENSIONS ARE MEASURED INSIDE CURB TO INSIDE CURB. THE WIDTH IS HINGE TO LATCH AND LENGTH IS HINGED SIDE.

ROOF HATCH SIZE: 762mm [30"] (WIDTH) x 1372mm [54"] (LENGTH)
 CLEAR OPENING: 640mm [25.18"] (WIDTH)x1365mm [53.75"] (LENGTH)
 ROUGH OPENING: 762mm [30"] (WIDTH) x 1372mm [54"] (LENGTH)

PROJECT:

CONTRACTOR:

ARCH. OR ENG.:

PURCHASE ORDER:

DATE:

APPROVED BY:



#5 7978 North Fraser Way
 Burnaby, B.C. Canada V5J 0C7
 Tel: 604-433-4243 Fax: 604-433-4148
 E-mail: info@maxammetal.com

MODEL THB-R20 30x54 ALUM. ROOF HATCH
 Insulated, For Ladder Access
 762mm x 1372mm [30" x 54"]

QUANTITY:

MODEL TYPE:

SIZE:



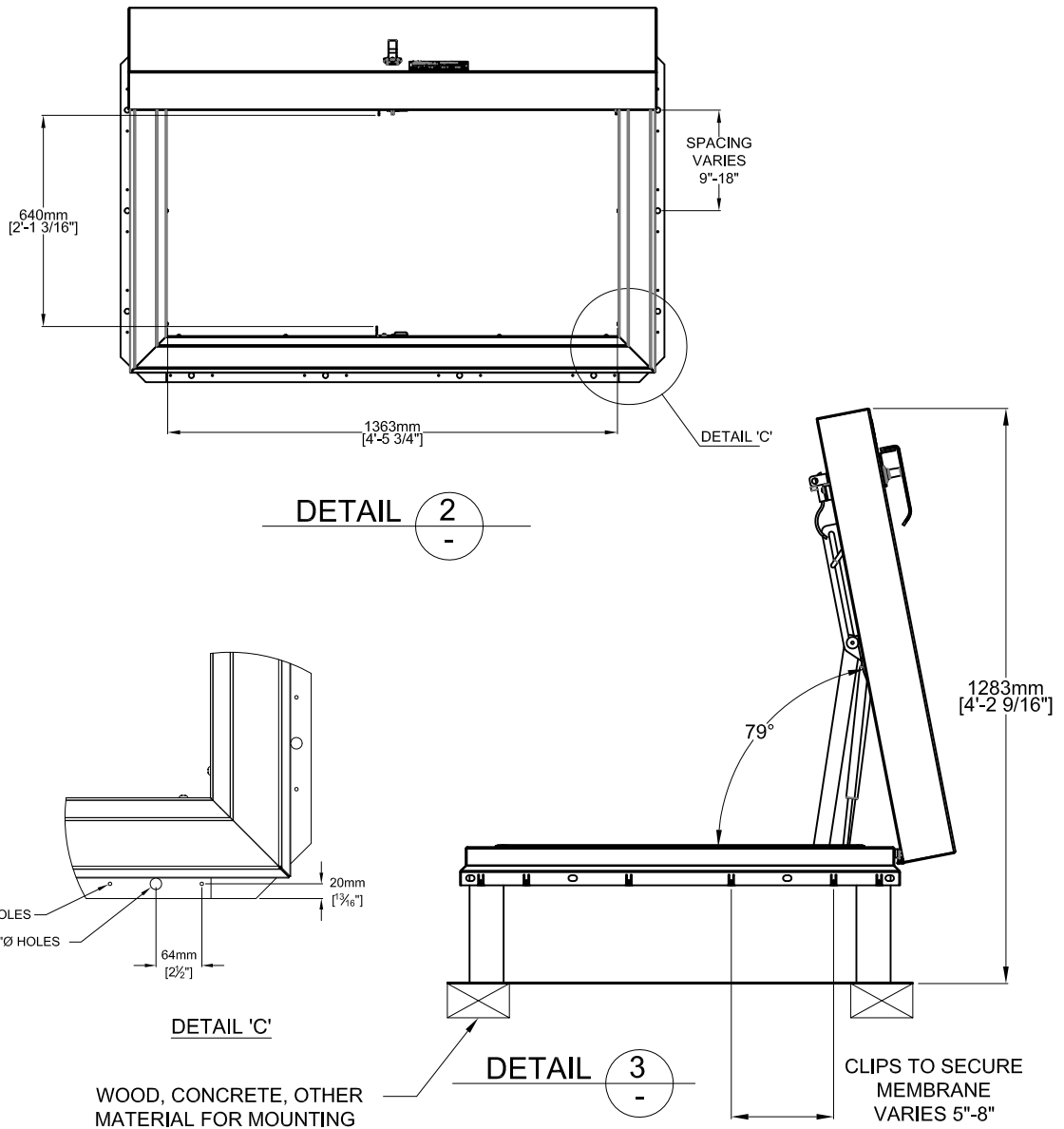
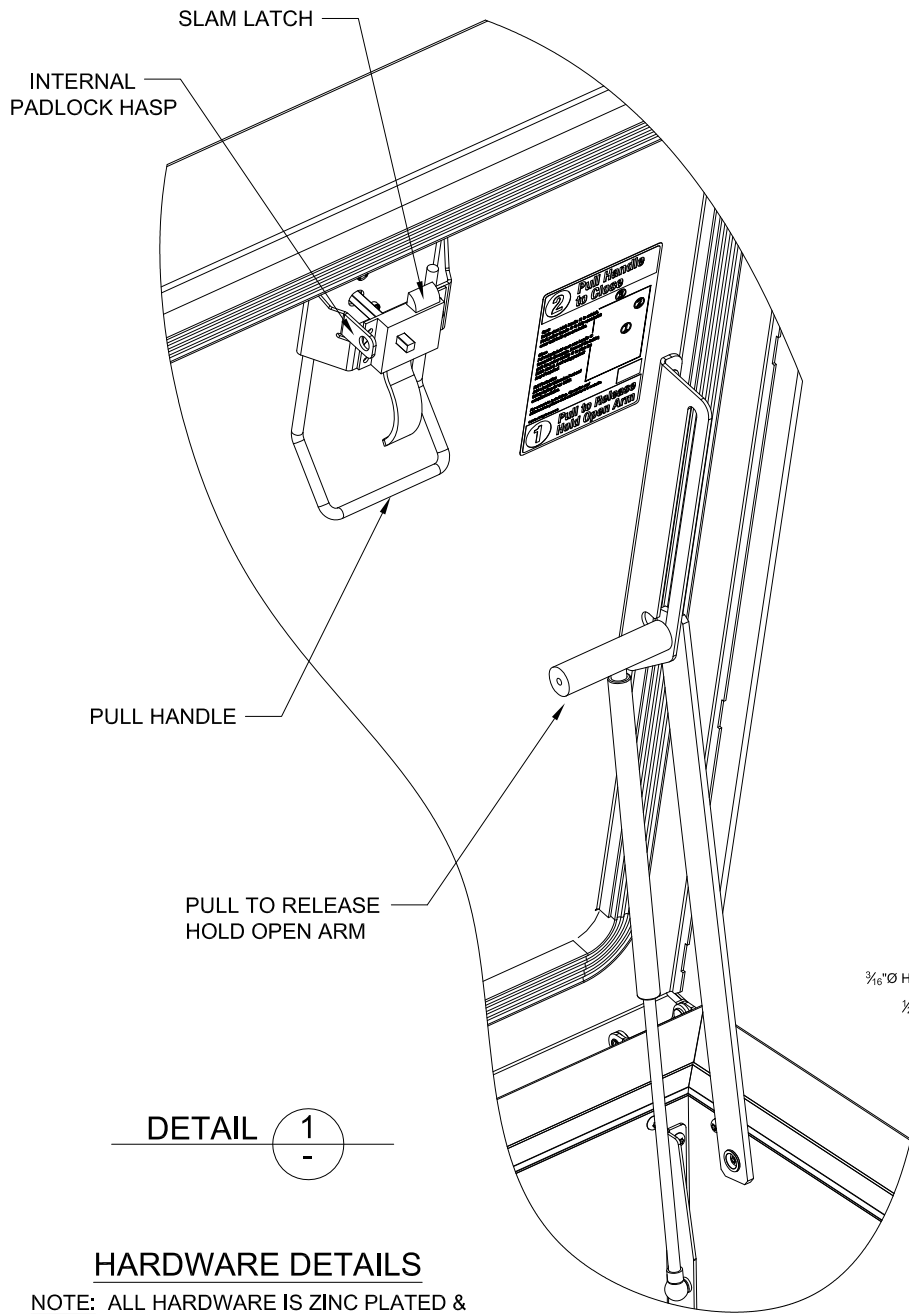
THB-R20 30x54

762mm x 1372mm
 [30" x 54"]

↑ HINGE SIDE

This drawing is the property of Maxam Metal Products Ltd. and incorporates information which is proprietary. Publication and/or public distribution in whole or in part is expressly prohibited without the prior written consent of Maxam Metal Products Ltd. The information herein remains the property of Maxam Metal Products Ltd. All rights reserved.

DRAWING: DRN. BY: DATE:



HARDWARE DETAILS

NOTE: ALL HARDWARE IS ZINC PLATED & CHROMATE SEALED UNLESS OTHERWISE NOTED.

MAXAM METAL PRODUCTS
 #5 7978 North Fraser Way
 Burnaby, B.C. Canada V5J 0C7
 Tel: 604-433-4243 Fax: 604-433-4148
 E-mail: info@maxammetal.com

MODEL THB-R20 30x54 ALUM. ROOF HATCH
 Insulated, For Ladder Access
 762mm x 1372mm [30" x 54"]

HINGE SIDE

This drawing is the property of Maxam Metal Products Ltd. and incorporates information which is proprietary. Publication and/or public distribution in whole or in part is expressly prohibited without the prior written consent of Maxam Metal Products Ltd. The information herein remains the property of Maxam Metal Products Ltd. All rights reserved.

DRAWING:	DRN. BY:	DATE:
Sheet 2 of 2		