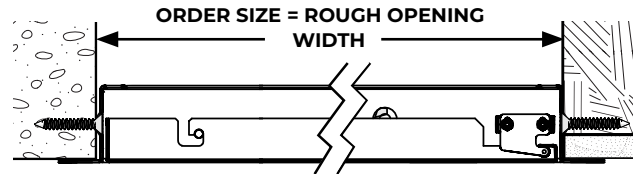
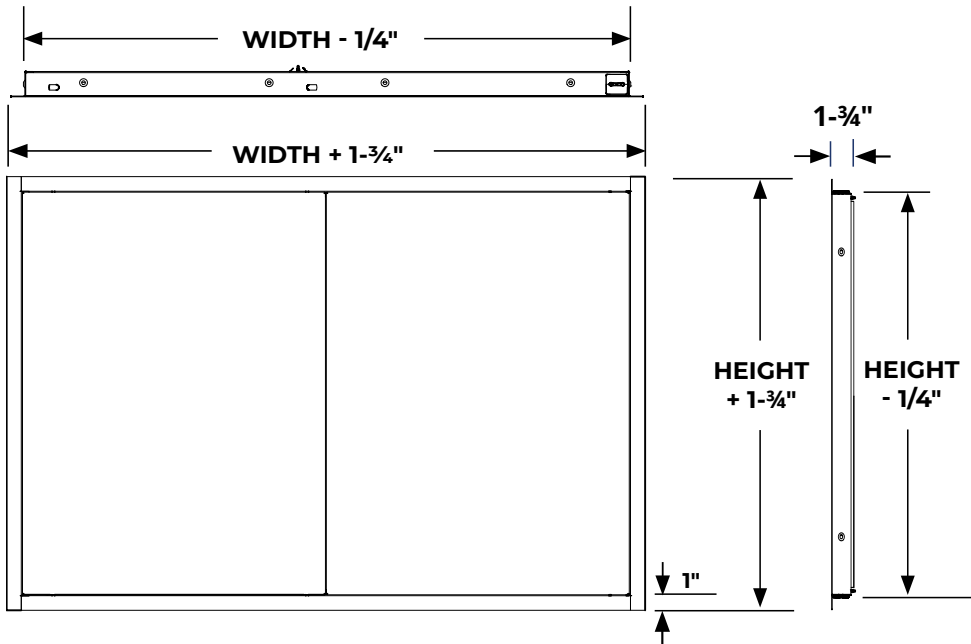


ACCESS PANELS - CAP SERIES - Non-Rated with Concealed Touch Latch for Ceilings - CAP

The Maxam CAP Series is designed to create a large clear opening for removal or maintaining pumps/equipment. The frame has an exterior flange and the double doors are formed for rigidity. One operable, one stationary, lightweight and easy to open, close or remove both doors with no visible latches or hinges.



MADE-TO-ORDER CAP

QTY	MODEL	MATERIAL	-	WIDTH	HEIGHT	FINISH	-	(OPTIONS)
<input type="text"/>	CAP	G (Galvanneal Steel)	-	<input type="text"/>	<input type="text"/>	P (Off-White Primer)	-	D (Double Door)
		S (Stainless Steel)				W (White Powder Coat)		
						(Other Powder Coat)		

SPECIFICATIONS:

- Frame Material:** 18 gauge galvanized steel
- Door Panel Material:** 20 gauge galvanized steel
- Standard Finish:** Off-white prime coat
- Flange:** 1" wide exposed flange
- Frame Depth:** 1-3/4"
- Safety Chain:** 6" Long safety chains provided on operable door only.
- Latch:** Concealed touch latches on operable door; includes a patent pending latch mounting block.
- Sizes:** Minimum: 18" x 18" Maximum: 108" x 54"
- Clear Opening:** (Width minus 1-1/2") x (Height minus 1-1/2")

ADDITIONAL OPTIONS:

- Optional Material:** 304 stainless steel with #4 finish
- Optional Finishes:** White powder coat, see color chart on website for other options

NOTE:

ORDER SIZE = ROUGH OPENING

Do not remove center stiffener bar before installation as the frame may warp or bend making installation difficult. After frame is installed the stiffener bar may be removed. Refer to installation instructions before installing the frame and doors.

QTY	MODEL	WIDTH X HEIGHT
	CAPG-4228P-D	42" X 28"
	CAPG-4236P-D	42" X 36"
	CAPG-4848P-D	48" X 48"
	CAPG-6028P-D	60" X 28"
	CAPG-7228P-D	72" X 28"

Interpretation of Building Codes may vary. Consult with the Local Authority Having Jurisdiction (AHJ) to determine appropriate standards.

<p>MAXAM METAL PRODUCTS</p> <p>Unit #5 7978 North Fraser Way, Burnaby, BC V5J 0C7</p>	<p>604-433-4243</p> <p>info@maxammetal.com</p> <p>maxammetal.com</p>	<p>Distributor:</p> <p>Contractor:</p> <p>Date:</p> <p>Scale: N/A</p>	<p>Project:</p> <p>Approved By:</p> <p>Architect:</p> <p>Item #:</p>
		Pages: 1 of 1	