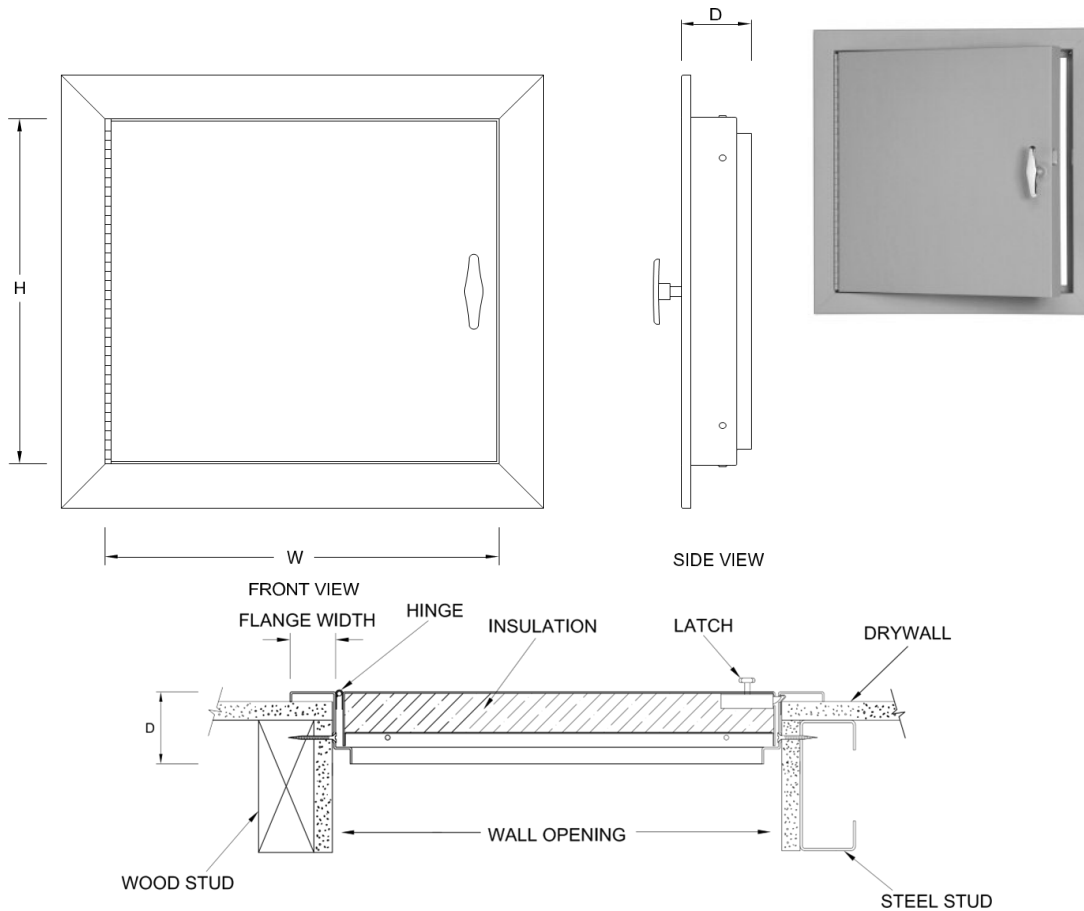


SUBMITTAL: FCC150™ SERIES 2 HR FIRE-RATED LAUNDRY/GARBAGE DOOR FOR WALLS

The Maxam specialty two hour fire-rated door for laundry or garbage chute access.




Materials: Satin finish galvaneal steel or 304 stainless steel.
Frame: 16 ga (1.61mm) steel with mounting holes. Depth "D"= 2-3/4" (70mm).
Flange: Width 1-3/4" (45mm) with a 3/8" (9.52mm) return.
Door Panel - 18 ga (1.31mm) with 22 ga (0.85mm) liner.
Insulation: The door panel contains 1-1/2" (38mm) of high temperature insulation material.
Finishes: Rust-inhibitive off-white prime coat or # 4 polished stainless steel finish on exterior surface.
Hinges: The continuous stainless steel piano hinge is designed to secure the door panel and open to 180°. The hinge is placed on the long side of the door ("H" dimension) needs to be in a vertical orientation, not horizontal.
Panel Closer: Listed concealed door closure that self-closes and latches the door as required by NFPA 80.
Latch: The standard factory installed latch is a non-locking (N) chrome "T" handle. Interior latch release optional.
Sizes: Made to Order. Minimum size is 16" x 16" , maximum size 30" x 30".
Fire-Rating: Intertek Warnock Hersey Listed and Labeled
 2 Hour Fire Rating for vertical installation only
 Temp Rise Max: 139°C / 250° F at 30 Min 250° C / 450° F at 60 Min
Testing Standard: Vertical: NFPA 252, UL 10B, CAN/ULC S104
Optional Smoke Gasket Testing Standards: UL 1784 per NFPA 105, ASTM E152, CAN4 S106, UBC 7-2, UL 10 (b) NFPA 252 (90- minute)
Clear Opening: Width minus 1-1/4", Height minus 1-1/4".

MADE-TO-ORDER FCC

<input type="checkbox"/>	QTY	<input type="checkbox"/>	MODEL	<input type="checkbox"/>	MATERIAL	-	<input type="text"/>	WIDTH	<input type="text"/>	HEIGHT	-	<input type="checkbox"/>	LATCHES	<input type="checkbox"/>	OPTIONS
<input type="checkbox"/>	FCC 150	<input type="checkbox"/>	Galvaneal Steel	<input type="checkbox"/>	Stainless Steel							<input type="checkbox"/>	Non-Locking T Handle (Std)	<input type="checkbox"/>	Listed Smoke Gasket
												<input type="checkbox"/>	Mortise Prep for 1-1/8" Cylinder		
												<input type="checkbox"/>	Mortise Lock Installed (1-1/8")		

QTY	Rough Opening = Order Size		Weight Kgs	Weight lbs.
	W x H, H = Hinge Side			
	Inches	Metric(mm)		
	16 x 16	406 x 406	7.71	17
	18 x 18	457 x 457	9.07	23
	18 x 24	457 x 610	11.34	25
	22 x 30	559 x 762	16.1	37
	24 x 24	610 x 610	13.6	30
	24 x 30	610 x 762	17	39
	30 x 30	762 x 762	19.5	43

 Unit # 5 7978 North Fraser Way, Burnaby BC V5J 0C7	604-433-4243 info@maxammetal.com maxammetal.com	Distributor:	Quantity:
		Contractor:	Approved By:
		Model #:	Architect:
		Project:	Date: