

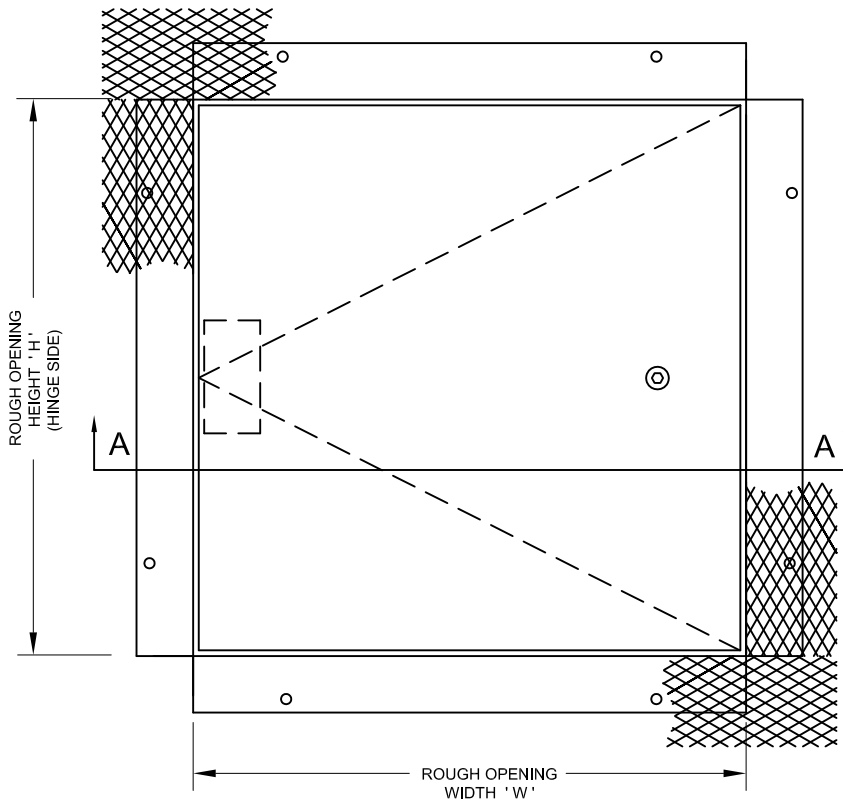
Designed with a hidden flange specifically for use with plaster, masonry, ceramic tile, or other wall coatings which require finishing up to the door panel.

STANDARD CONSTRUCTION:

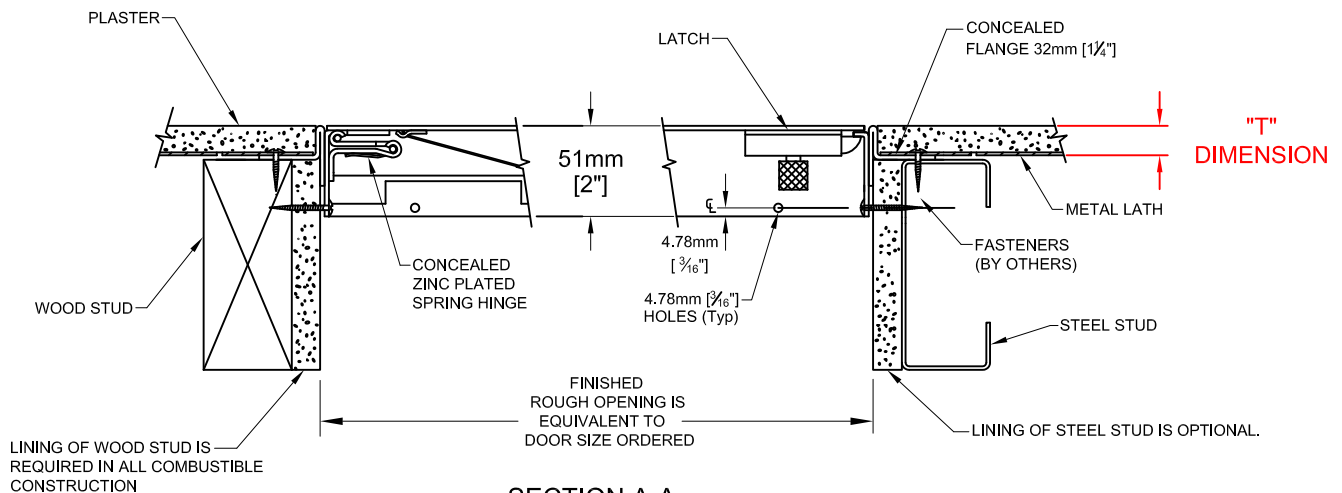
- MATERIAL** - SATIN FINISH GALVANIZED (GALVANNEALED) STEEL.
- PANEL** - 1.99mm [14 ga].
- FRAME** - 1.61mm [16 ga].
- FLANGE** - 32mm [1¼"] WIDE GALVANIZED CONCEALED PLASTER FLANGE c/w A 51mm [2"] WIDE METAL LATH.
- HINGE** - CONCEALED ZINC PLATED SPRING HINGE (OPENS TO 175°).
- PANEL CLOSER** - THE AUTOMATIC PANEL CLOSER WILL CLOSE AND LATCH THE DOOR FROM AN OPEN POSITION OF APPROXIMATELY 90° AS REQUIRED BY CODE.
- LATCH** - ¼" ALLEN KEY, WITH INTERIOR RELEASE.
- FINISH** - RUST INHIBITIVE PRIME COAT (OFF-WHITE).

STANDARD "T" DIMENSION - 16MM [5/8"]

* Specifications subject to change without notice.



FRONT ELEVATION



SECTION A-A

PROJECT: _____

CONTRACTOR: _____

ARCH. OR ENG.: _____

DATE: _____

△ Revised 26/07/22

These drawings are the property of Maxam Metal Products Ltd. and incorporates information which is proprietary. Publication and/or public distribution in whole or in part is expressly prohibited without the prior written consent of Maxam Metal Products Ltd. The information herein remains the property of Maxam Metal Products Ltd. All rights reserved.

DWN BY KB	DATE Jan. / 2014	DWG. NO. Sheet 1 of 3	REV. △
--------------	---------------------	--------------------------	-----------

INSTALLATION:

The outer concealed flange and inner frame are manufactured with mounting holes.

For square fit, keep the door panel closed while installing. Install before your finishing material is applied. See installation instructions supplied with panel.

ORDERING:

- PLEASE ORDER BY ROUGH OPENING SIZE.
- WHEN ORDERING THE SECOND DIMENSION GIVEN IS THE HINGE SIDE. (ie. 457mm x 610mm [18" x 24"], THE 610mm [24"] DIMENSION IS THE HINGE SIDE.
- THESE DOORS ARE NON-RETURNABLE.

FRK - STANDARD SIZES

Rough Opening Size W x H		No. of Latches/ Locks	Weight in kgs.	Weight in lbs.
Metric (mm)	Inches			
152 x 152	6 x 6	1	1.36	3.00
203 x 203	8 x 8	1	2.04	4.50
203 x 305	8 x 12	1	2.50	5.50
254 x 254	10 x 10	1	2.60	5.75
305 x 305	12 x 12	1	3.06	6.75
305 x 406	12 x 16	1	4.13	9.10
305 x 457	12 x 18	1	4.53	10.00
305 x 610	12 x 24	1	5.89	13.00
356 x 356	14 x 14	1	4.08	9.00
356 x 508	14 x 20	1	5.89	13.00
406 x 406	16 x 16	1	5.21	11.50
406 x 508	16 x 20	1	6.01	13.25
406 x 610	16 x 24	1	7.82	17.25
457 x 457	18 x 18	1	6.12	13.50
457 x 610	18 x 24	1	8.73	19.25
508 x 508	20 x 20	1	8.05	17.75
508 x 610	20 x 24	1	9.07	20.00
508 x 762	20 x 30	1	11.00	24.25
559 x 559	22 x 22	1	9.18	20.25
559 x 762	22 x 30	1	11.79	26.00
559 x 914	22 x 36	1	13.83	30.50
610 x 610	24 x 24	1	10.43	23.00

↑ Hinge Side

SEE FWD AND FWS MODELS FOR LARGER SIZES.

Net Opening = Width minus 51mm [2"]
Height minus 29mm [1 1/8"]

WARRANTY:

One Year Limited warranty. For complete details see Access Door warranty document.

PROJECT SCHEDULE

- millimeters
 - inches

Qty	Rough Opening Size		Options
	Width	Height	

↑ Hinge Side



Model FRK is designed to maintain the continuity of a fire barrier when installed in a **vertical separation**. The assembly is manufactured under the factory inspection service of Intertek (Warnock Hersey) and has a label reading: "Listed access frame and fire door assembly. **2 hour fire rating**. Vertical installation only. No temperature rise rating."

PROJECT: _____

PURCHASE ORDER: _____

CONTRACTOR: _____

APPROVED BY: _____

ARCH. OR ENG.: _____

DATE: _____

△ Revised 26/07/22

DWN BY KB	DATE Jan. / 2014	DWG. NO. Sheet 2 of 3	REV. 1
--------------	---------------------	--------------------------	-----------

OPTIONS: * - DENOTES ADDITIONAL COST.

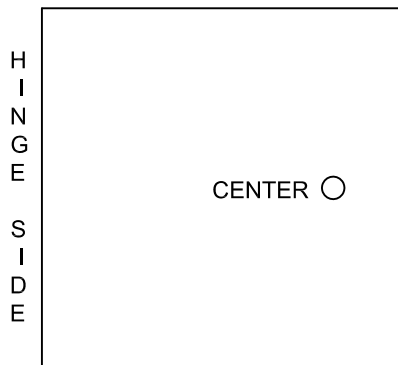
MATERIAL :-

- STANDARD MATERIAL - GALVANNEALED STEEL. SEE SHEET 1 OF 3.
- * - OPTIONAL MATERIAL - 304 STAINLESS STEEL WITH A NO. 4 POLISHED FINISH ON THE EXTERIOR SURFACE.
- * - OPTIONAL "T" DIMENSION SPECIFIED BY CUSTOMER = _____. SEE SHEET 1 OF 3.

HARDWARE :-

- STANDARD HARDWARE - 1/4" ALLEN KEY. SEE SHEET 1 OF 3.
- OPTIONAL HARDWARE

ONE LATCH



CENTER LATCH

- ALLEN KEY
- RAISED KNURLED KNOB.
- * - 1 1/8" MORTISE PREP ONLY.
- * - 1 1/8" MORTISE PREP COMPLETE WITH MORTISE CYLINDER.

PROJECT: _____

PURCHASE ORDER: _____

CONTRACTOR: _____

APPROVED BY: _____

ARCH. OR ENG.: _____

DATE: _____

△ Revised 26/07/22

DWN BY KB	DATE Jan. / 2014	DWG. NO. Sheet 3 of 3	REV. 1
--------------	---------------------	--------------------------	-----------