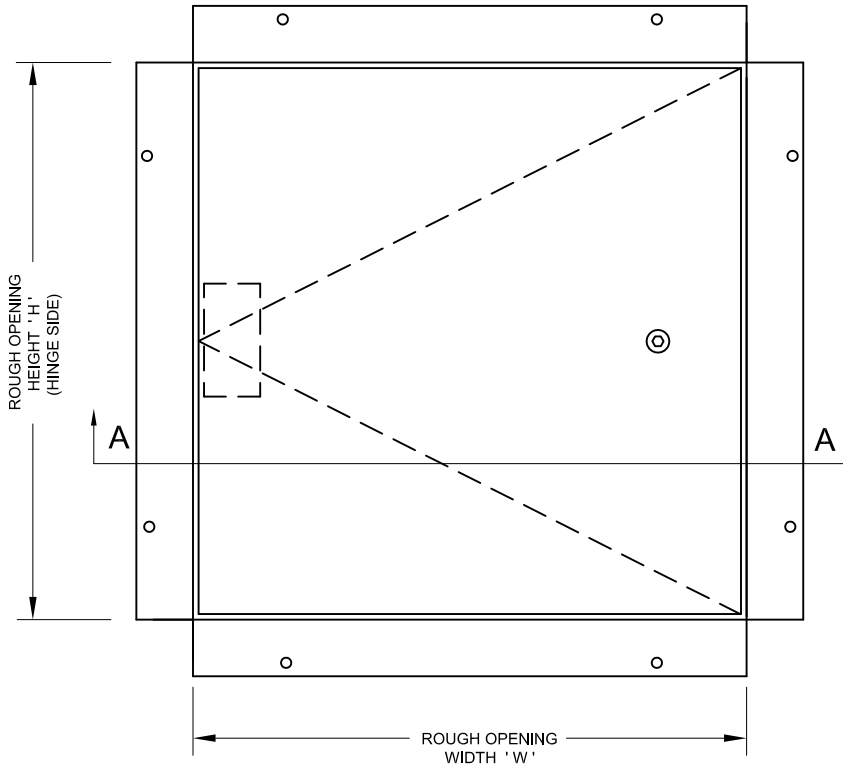


Designed with a hidden flange for use with drywall or other architectural wall finishes.
Installed before drywall is applied.

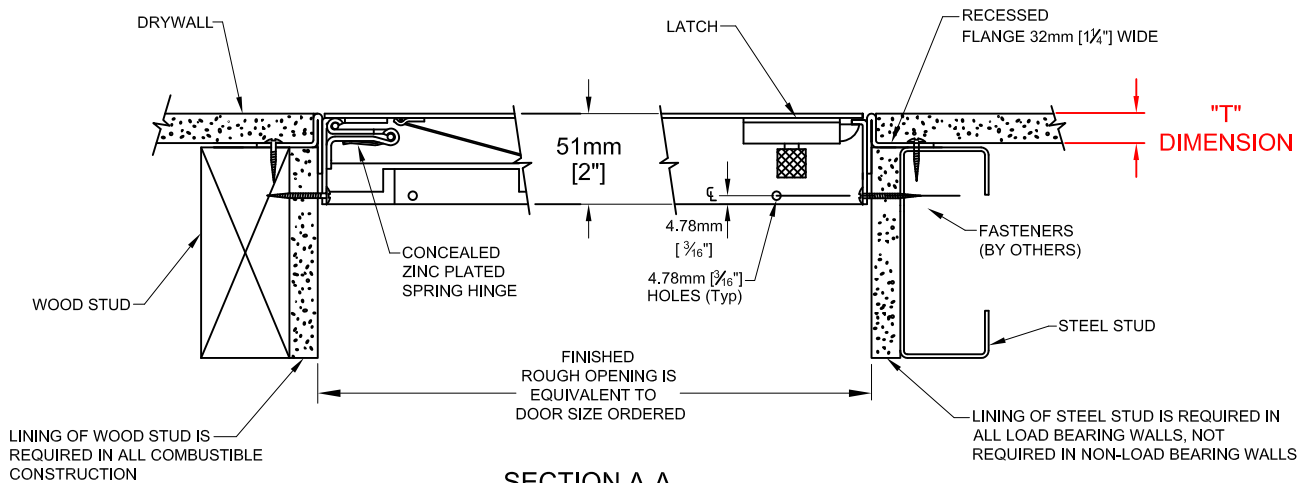


FRONT ELEVATION

STANDARD CONSTRUCTION:

- MATERIAL** - SATIN FINISH GALVANIZED (GALVANNEALED) STEEL.
- PANEL** - 1.99mm [14 ga].
- FRAME** - 1.61mm [16 ga].
- FLANGE** - 32mm [1¼"] WIDE GALVANIZED RECESSED FLANGE.
- HINGE** - CONCEALED ZINC PLATED SPRING HINGE (OPENS TO 175°).
- PANEL CLOSER** - THE AUTOMATIC PANEL CLOSER WILL CLOSE AND LATCH THE DOOR FROM AN OPEN POSITION OF APPROXIMATELY 90° AS REQUIRED BY CODE.
- LATCH** - ¼" ALLEN KEY, WITH INTERIOR RELEASE.
- FINISH** - RUST INHIBITIVE PRIME COAT (OFF-WHITE).

STANDARD "T" DIMENSION - 16mm [5/8"]



SECTION A-A

* Specifications subject to change without notice.

PROJECT: _____

CONTRACTOR: _____

ARCH. OR ENG.: _____

DATE: _____

△ Revised 26/07/22

These drawings are the property of Maxam Metal Products Ltd. and incorporates information which is proprietary. Publication and/or public distribution in whole or in part is expressly prohibited without the prior written consent of Maxam Metal Products Ltd. The information herein remains the property of Maxam Metal Products Ltd. All rights reserved.

DWN BY KB	DATE Jan. / 2014	DWG. NO. Sheet 1 of 3	REV. 1
--------------	---------------------	--------------------------	-----------

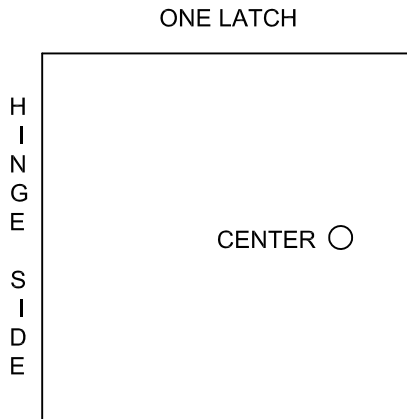
OPTIONS: * - DENOTES ADDITIONAL COST.

MATERIAL :-

- STANDARD MATERIAL - GALVANNEALED STEEL. SEE SHEET 1 OF 3.
- * - OPTIONAL MATERIAL - 304 STAINLESS STEEL WITH A NO. 4 POLISHED FINISH ON THE EXTERIOR SURFACE.
- * - OPTIONAL "T" DIMENSION SPECIFIED BY CUSTOMER = _____. SEE SHEET 1 OF 3.

HARDWARE :-

- STANDARD HARDWARE - 1/4" ALLEN KEY. SEE SHEET 1 OF 3.
- OPTIONAL HARDWARE



CENTER LATCH

- ALLEN KEY
- RAISED KNURLED KNOB.
- * - 1 1/8" MORTISE PREP ONLY.
- * - 1 1/8" MORTISE PREP COMPLETE WITH MORTISE CYLINDER.

PROJECT: _____

PURCHASE ORDER: _____

CONTRACTOR: _____

APPROVED BY: _____

ARCH. OR ENG.: _____

DATE: _____

△ Revised 26/07/22

DWN BY KB	DATE Jan. / 2014	DWG. NO. Sheet 2 of 3	REV. 1
--------------	---------------------	--------------------------	-----------