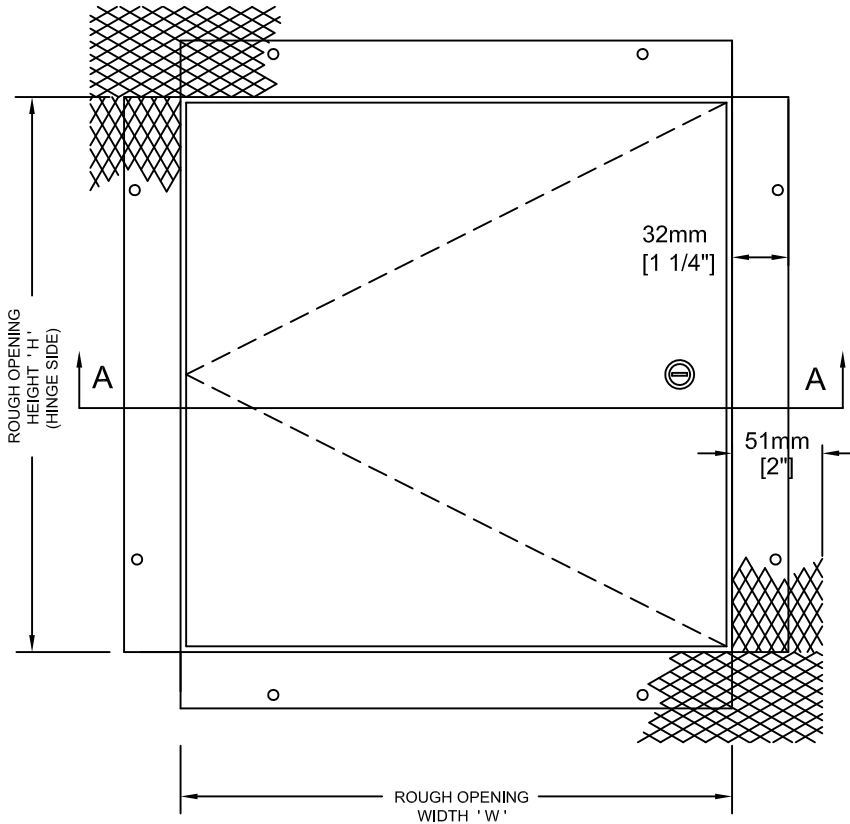


Designed with a hidden flange for use with plaster, ceramic tile, or other materials that are finished up to the door panel.



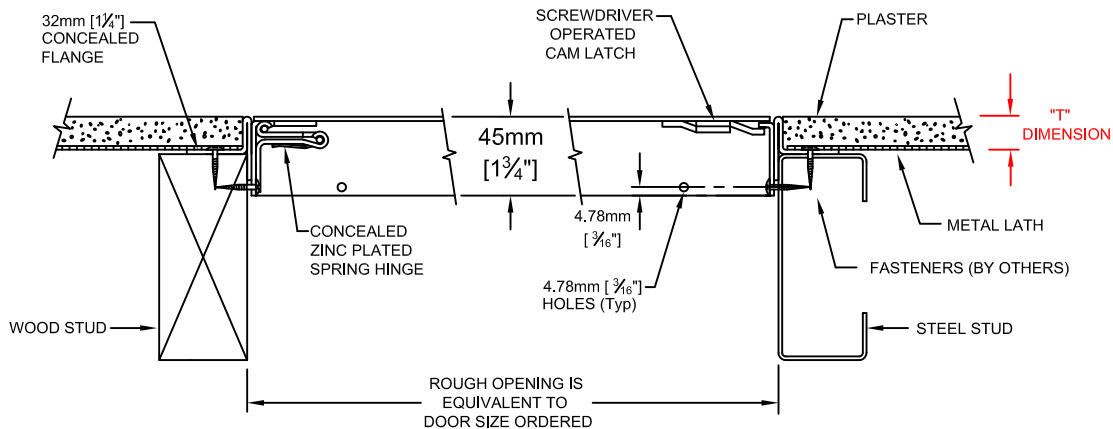
FRONT ELEVATION

STANDARD CONSTRUCTION:

- MATERIAL** - SATIN FINISH GALVANIZED (GALVANNEALED) STEEL.
- PANEL** - 1.99mm (14ga)
- FRAME** - 1.61mm (16ga)
- FLANGE** - 32mm [1 1/4\"] WIDE GALVANIZED CONCEALED FLANGE AND A 51mm [2\"] METAL LATH.
- HINGE** - CONCEALED ZINC PLATED SPRING HINGE (OPENS TO 175°). NUMBER OF HINGES VARIES WITH THE SIZE OF DOOR.
- LATCH** - SCREWDRIWER OPERATED CAM LATCH. NUMBER OF LATCHES VARIES WITH SIZE OF DOOR.
- FINISH** - RUST INHIBITIVE PRIME COAT (OFF-WHITE).

STANDARD "T" DIMENSION - 16mm [5/8\"]

* Specifications subject to change without notice.



SECTION A-A


PROJECT: _____

CONTRACTOR: _____

ARCH. OR ENG.: _____

DATE: _____

These drawings are the property of Maxam Metal Products Ltd. and incorporates information which is proprietary. Publication and/or public distribution in whole or in part is expressly prohibited without the prior written consent of Maxam Metal Products Ltd. The information herein remains the property of Maxam Metal Products Ltd. All rights reserved.

DWN BY KB	DATE Feb. / 2014	DWG. NO. Sheet 1 of 2	REV. 
--------------	---------------------	--------------------------	---

INSTALLATION:

Install before your finishing material is applied.
The outer galvanized concealed flange and inner frame are manufactured with pre-punched mounting holes.
For square fit, keep the door panel closed while installing.

NSK - STANDARD SIZES

Rough Opening Size W x H		No. of Latches	Weight in kgs.	Weight in lbs.
Metric (mm)	Inches			
152 x 152	6 x 6	1	1.36	3.00
203 x 203	8 x 8	1	2.27	5.00
203 x 305	8 x 12	1	2.73	6.00
254 x 254	10 x 10	1	2.73	6.00
305 x 305	12 x 12	1	3.18	7.00
305 x 406	12 x 16	1	4.53	10.00
305 x 457	12 x 18	1	4.53	10.00
305 x 610	12 x 24	2	5.68	12.50
356 x 356	14 x 14	1	4.09	9.00
356 x 508	14 x 20	1	5.68	12.50
406 x 406	16 x 16	1	4.98	11.00
406 x 508	16 x 20	1	6.36	14.00
406 x 610	16 x 24	2	7.27	16.00
457 x 457	18 x 18	1	5.91	13.00
457 x 610	18 x 24	2	7.73	17.00
508 x 508	20 x 20	3	7.27	16.00
508 x 610	20 x 24	4	8.41	18.50
508 x 762	20 x 30	4	10.23	22.50
559 x 559	22 x 22	3	8.64	19.00
559 x 762	22 x 30	4	10.91	24.00
559 x 914	22 x 36	4	12.73	28.00
610 x 610	24 x 24	4	9.77	21.50
610 x 762	24 x 30	4	11.82	26.00
610 x 914	24 x 36	4	13.64	30.00
610 x 1219	24 x 48	5	18.86	41.50
762 x 762	30 x 30	6	14.09	31.00
762 x 914	30 x 36	6	16.36	36.00
762 x 1219	30 x 48	7	22.27	49.00
762 x 1524	30 x 60	8	27.27	60.00
813 x 813	32 x 32	6	15.45	34.00
914 x 914	36 x 36	6	20.00	44.00
914 x 1219	36 x 48	7	26.14	57.50
914 x 1524	36 x 60	8	31.52	69.50
1067 x 1067	42 x 42	9	26.30	58.00
1067 x 1524	42 x 60	10	35.38	78.00
1219 x 1219	48 x 48	9	32.65	72.00
1219 x 1524	48 x 60	10	39.91	88.00



Net Opening = Width minus 51mm [2"]
Height minus 29mm [1 1/8"]

PROJECT: _____

CONTRACTOR: _____

ARCH. OR ENG.: _____

DATE: _____

OPTIONS: * - DENOTES ADDITIONAL COST.

- * - 3/16" ALLEN KEY CAM.
- * - TORX HEAD CAM.
- * - NON-LOCKING TWO POSITION HANDLE.
- * - CYLINDER KEY LOCK (NON RE-KEYABLE) KEYED ALIKE.
- * - 1 1/8" MORTISE PREP ONLY.
- * - 1 1/8" MORTISE PREP COMPLETE WITH MORTISE CYLINDER.
- * - 304 STAINLESS STEEL WITH A NO. 4 POLISHED FINISH ON THE EXTERIOR SURFACE.
- * - OPTIONAL "T" DIMENSION SPECIFIED BY CUSTOMER = _____.

ORDERING:

- PLEASE ORDER BY ROUGH OPENING SIZE.
- WHEN ORDERING PLEASE SPECIFY THE " T " DIMENSION (FLANGE DEPTH) YOU REQUIRE.
- WHEN ORDERING THE SECOND DIMENSION GIVEN IS THE HINGE SIDE. (ie. 457mm x 610mm [18" x 24"], THE 610mm [24"] DIMENSION IS THE HINGE SIDE.

- THESE DOORS ARE NON-RETURNABLE.

WARRANTY:

One Year Limited warranty. For complete details see **Access Door** warranty document.

PROJECT SCHEDULE

- millimeters
- inches

Qty	Rough Opening Size		Options
	Width	Height	



PURCHASE ORDER: _____

APPROVED BY: _____