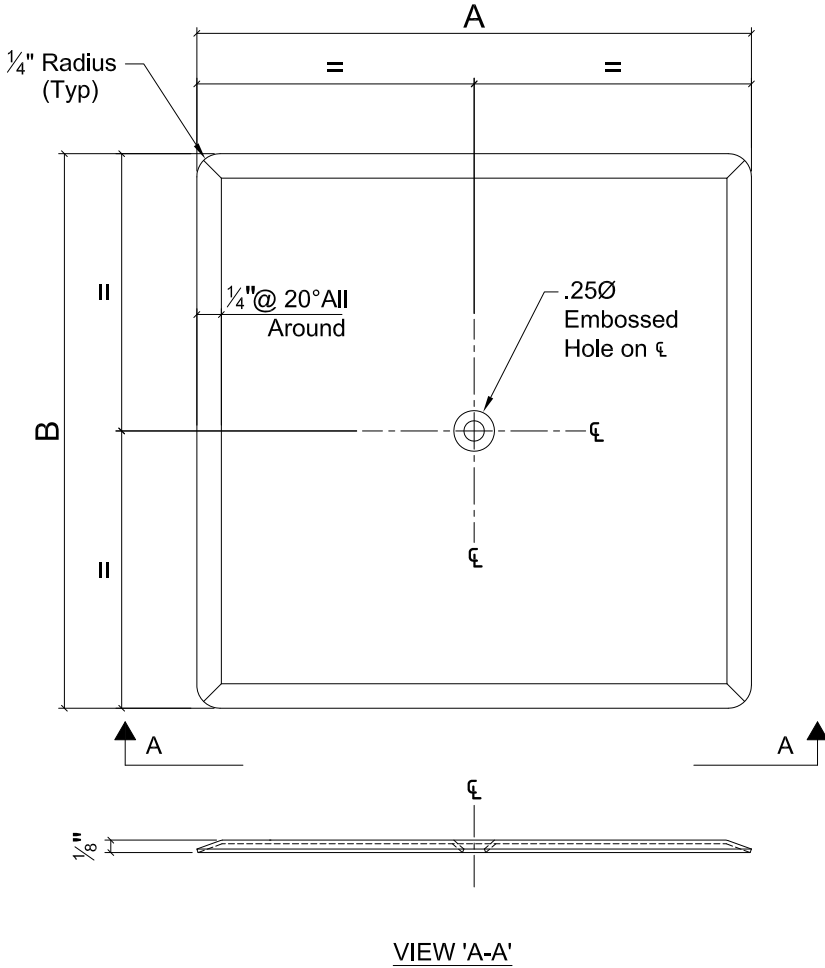


These drawings are the property of Maxam Metal Products Ltd. and incorporates information which is proprietary. Publication and/or public distribution in whole or in part is expressly prohibited without the prior written consent of Maxam Metal Products Ltd. The information herein remains the property of Maxam Metal Products Ltd. All rights reserved.

COVER PLATE



MATERIAL :

- GALVANIZED SATIN COAT STEEL
c/w OFF WHITE PRIME COAT.
- TYPE 304 STAINLES STEEL
c/w #4 FINISH.

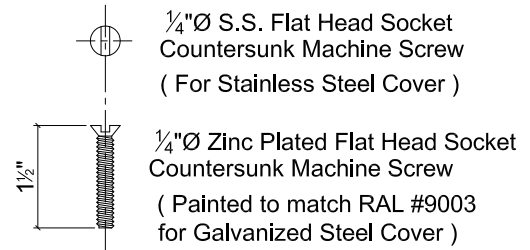
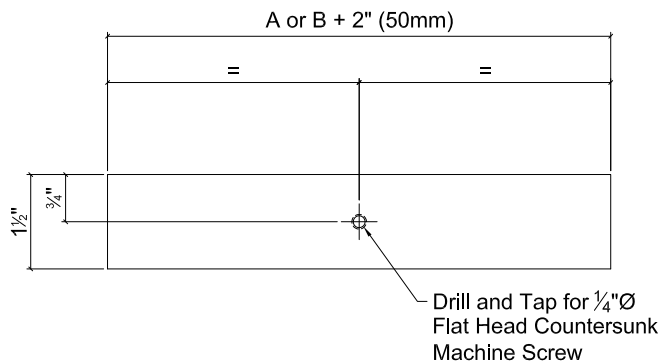
NOTE: - GA. OF MATERIAL VARIES WITH SIZE OF COVER.

PROJECT SCHEDULE

- inches OR - millimeters

| QTY. | DIM 'A' | | DIM 'B' | |
|------|---------|-----|---------|-----|
| | mm. | in. | mm. | in. |
| | | | | |
| | | | | |
| | | | | |
| | | | | |
| | | | | |
| | | | | |

SHIPPED COMPLETE WITH :



10 Ga. Galvanized Steel Plate

(For Galvanized Steel Cover)

Aluminum Flat Bar 1 1/2" x 3/16"

(For Stainless Steel Cover)



#5 7978 North Fraser Way
Burnaby B.C. V5J 0C7
Ph. 604-433-4243
Fax. 604-433-4148

PROJECT :

CONTRACTOR :

ARCH. OR ENG. :

PURCHASE ORDER :

APPROVED BY :

DATE :