



Maxam Metal Products Ltd.  
 #5 7978 North Fraser Way  
 Burnaby, BC, Canada V5J 0C7  
 Tel: 604-433-4243  
 Fax: 604-433-4148

Website: [www.maxammetal.com](http://www.maxammetal.com)  
 Email: [info@maxammetal.com](mailto:info@maxammetal.com)

## PFD - ALUMINUM FLOOR DOOR

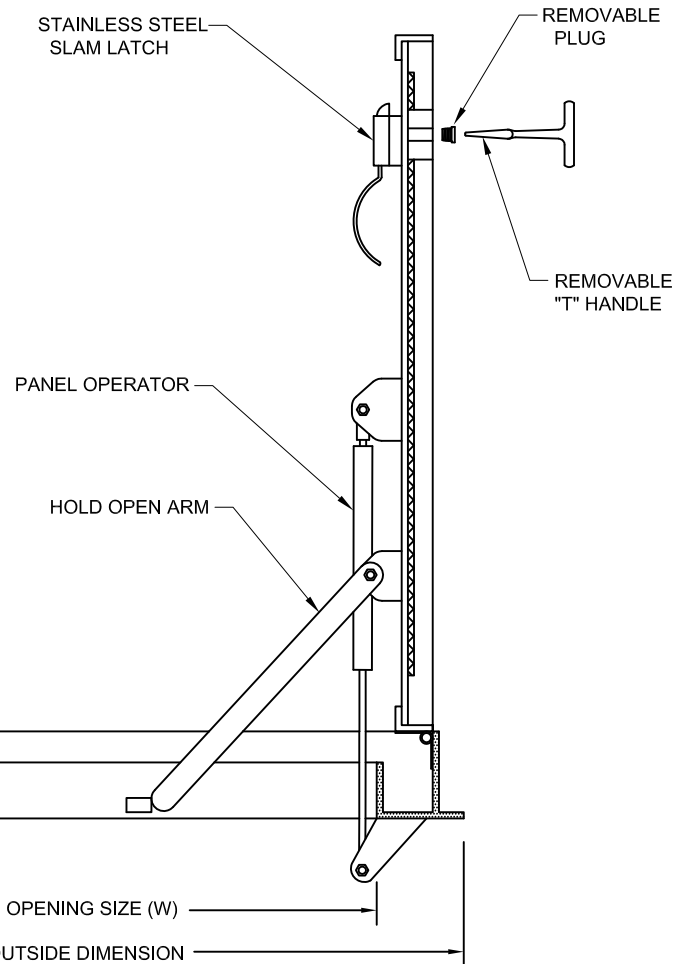
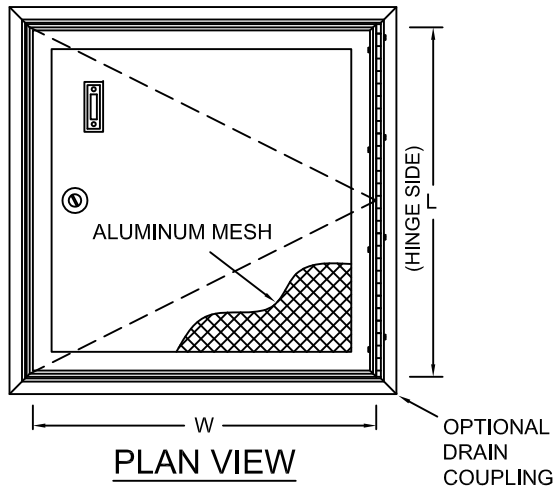
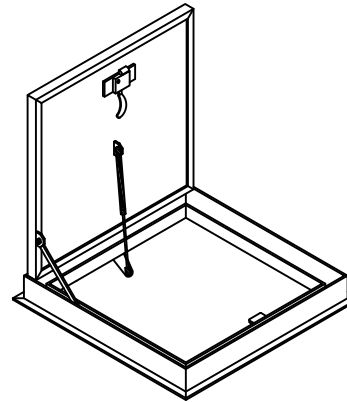
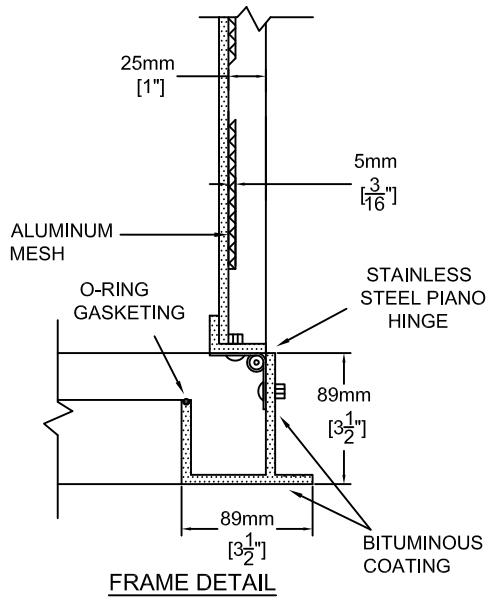
### SPECIFICATIONS

- DOOR PANEL:** 6.35mm (1/4") ALUMINUM PLATE RECESSED 25mm [1"] TO ACCEPT FLOOR COVERING. C/W ALUMINUM MESH
- FRAME:** 6.35mm [1/4"] ALUMINUM ALLOY C/W 25mm [1"] ANCHOR FLANGE, BUILT IN NEOPRENE CUSHION AND BITUMINOUS COATING ON OUTSIDE OF FRAME
- FRAME DEPTH:** 89mm (3 1/2")
- LATCH:** 316 STAINLESS STEEL SLAM LATCH C/W A REMOVABLE COVER PLUG, OPERABLE FROM THE TOP SIDE BY A REMOVABLE "T" HANDLE AND THE UNDERSIDE BY A SPOON HANDLE
- HINGE:** CONTINUOUS 316 STAINLESS STEEL ALLOY PIANO HINGE
- HOLD OPEN ARM:** STOPS DOWNWARD MOTION OF DOOR PANEL WHEN OPEN AT 90°
- PANEL OPERATOR:** NITROGEN CYLINDER(S)
- LIVE LOAD:** 700 kg/sq.meter (150lb/sq.ft)

### OPTIONS (CHECK OFF REQUIRED OPTIONS)

- CHROME PLATED BRASS LIFTING RING
- BITUMINOUS COATING INSIDE PANEL
- DRAIN COUPLING IN BACK RIGHT-HAND CORNER
- 316 STAINLESS STEEL NITROGEN CYLINDERS

NOTE:  
 \* ROUGH-IN SIZE 178mm (7") LARGER THAN OPENING SIZE ORDERED, IN BOTH DIMENSIONS.



89mm [3 1/2"]

### SECTION

MODEL	SIZE	QUANTITY
PFD	_____	_____
	_____	_____

ARCH'T OR ENG'R: \_\_\_\_\_

PURCHASE ORDER: \_\_\_\_\_ DATE: \_\_\_\_\_

PROJECT: \_\_\_\_\_

GEN'L CONTRACTOR: \_\_\_\_\_

PURCHASER: \_\_\_\_\_