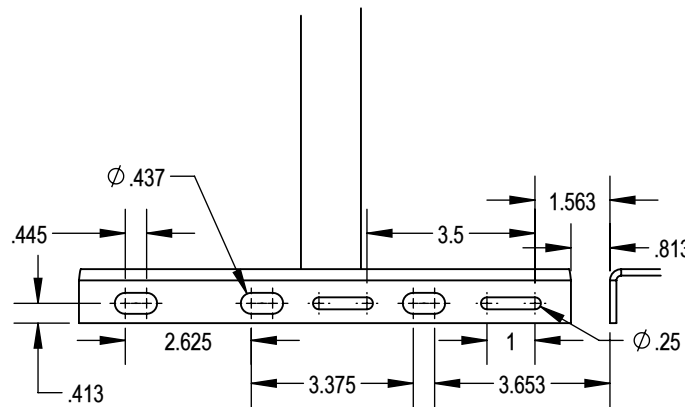
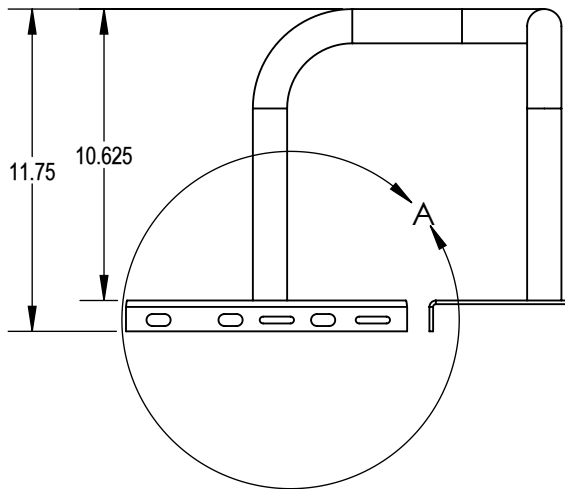
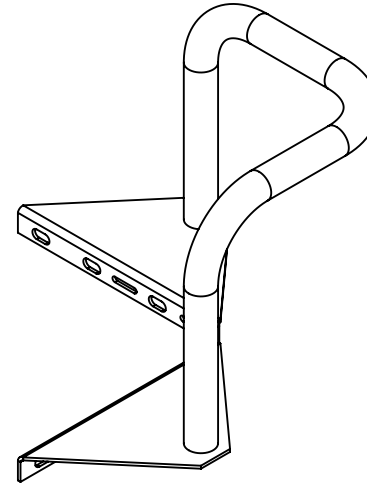
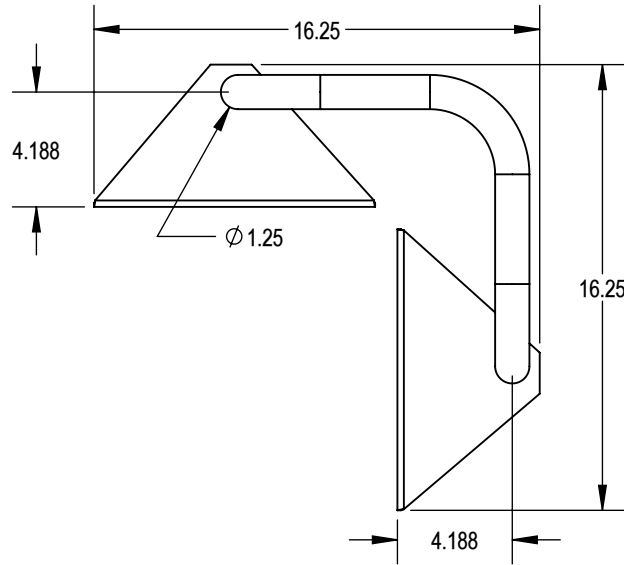


SAFETY GRAB BAR - EXTERIOR MOUNTED - RSCBB-Y

The Safety Grab Handle is always right in place, ready for use. Easily retrofitted with its universal mounting on either the right or left side of the roof hatch curb corner into the capflashing, so it does not penetrate the roof membrane .

SPECIFICATIONS:

Material: 1-1/4" (32 mm) steel tubing and 10 gauge steel plate mounting brackets
Finish: Safety yellow powder coat paint
Mounting Hardware: 1/4"-20 steel torx screws and 3/8"-16 steel bolts with nylon lock nuts



DETAIL A
SCALE 1 : 4

MODEL #: RSCBB-Y



800-554-6077
 sales@activarcpg.com
 www.activarcpg.com

CANADA ONLY: 604-433-4243 info@maxammetal.com maxammetal.com

Distributor:		Project:	
Contractor:		Approved By:	
Date:		Architect:	
Scale: 1:7	Pages: 1 OF 1	Drawing #:	RSCBB-Y-SUBMITTAL