



Maxam Metal Products Ltd.  
British Columbia, Canada

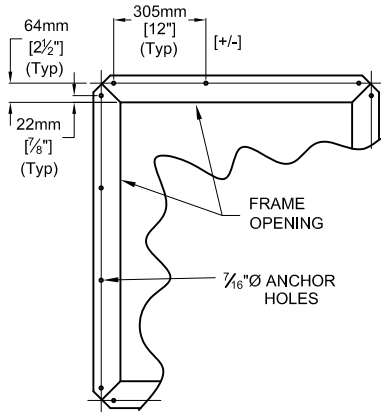
Tel: 604-433-4243  
Fax: 604-433-4148

Toll Free Tel: 1-866-446-2926  
Toll Free Fax: 1-866-436-2926

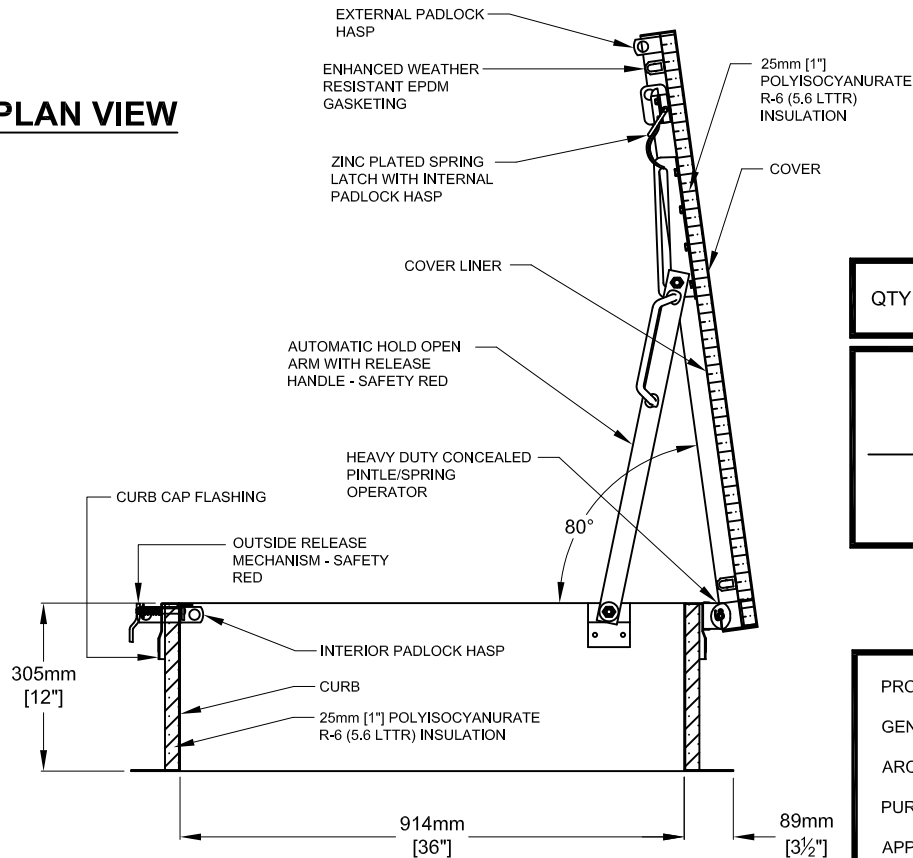
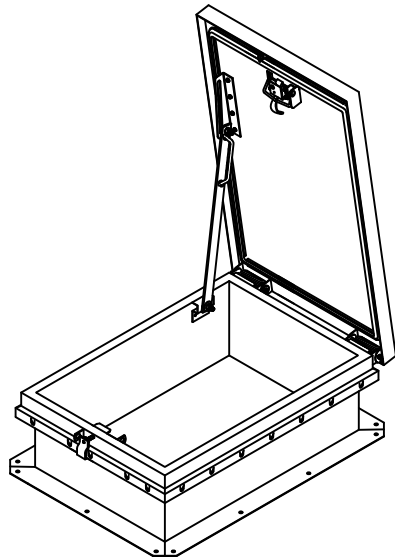
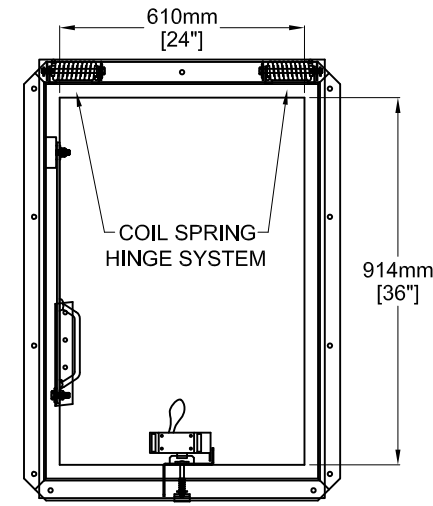
Website: www.maxammetal.com  
Email: info@maxammetal.com

## 36" X 24" [914mm X 610mm] ROOF HATCH

### ANCHOR HOLE LAYOUT



### PLAN VIEW



### SECTION

### FACTORY FINISHES

GALVANIZED (GALVANNEALED) STEEL - GREY PRIMER.

HARDWARE - ZINC PLATED SPRING LATCH c/w INTERNAL & EXTERNAL PADLOCK HASPS.

NOTE : - HOLD OPEN ARM - STANDARD POWDER COATED SAFETY RED.

- NUMBER OF HINGES AND COIL SPRINGS WILL VARY WITH SIZE OF HATCH.

- LIVE LOAD = 40 LBS PER SQUARE FOOT.

\* Specifications subject to change without notice.

### LIMITED 5 YEAR WARRANTY

QTY	MODEL	MATERIAL	COVER	CURB	COVER LINER
-----	-------	----------	-------	------	-------------

—	RHS-0	GALV. STEEL	STEEL 14 ga 1.99mm	STEEL 14 ga 1.99mm	STEEL 22 ga 0.85mm
---	-------	-------------	--------------------------	--------------------------	--------------------------

PROJECT:	_____
GEN. CONTRACTOR:	_____
ARCH. OR ENG.:	_____
PURCHASE ORDER:	_____ DATE: _____
APPROVED BY:	_____