

ACCESS PANEL - CAP

INSTALLATION & MAINTENANCE GUIDE | 14I-207

GENERAL:

Our CAP Series ceiling access panels have one stationary panel and one operable panel with the option to remove both panels. The lightweight design is easy to install and operate in ceilings.

TOOLS/HARDWARE NEEDED:

- Pliers
- Phillips Head #2 Screwdriver
- Countersunk fasteners appropriate for the application for frame install (by others)
- Recommended mounting hardware for wood frames (by others) #6, #8 or #10 countersunk fasteners for frame install.
- Clamps (Optional)

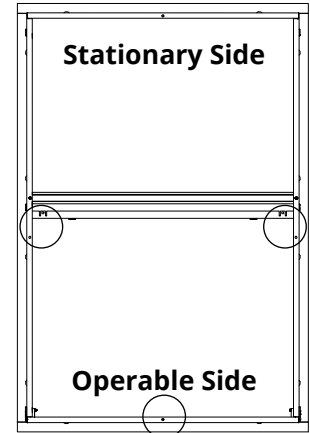
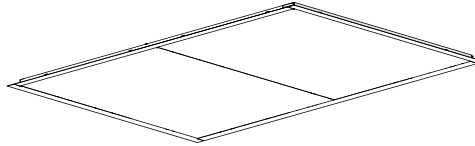


FIG. 1

INSTALLATION:

Note: May require either two people or the use of clamps to safely install large sizes.

1. Orient frame so that side without holes for safety clips is at the end that will not be regularly accessed for service. This will be the stationary panel side (Fig. 1 & 2)
2. Using countersunk fasteners (provided by others), fasten into frame holes and mounting surface, taking care not to twist or pull frame inwards.
3. Once frame is installed the center bar can be removed, if needed, using Phillips head #2 screwdriver.
4. Insert stationary panel on side without safety chain holes by aligning pins into "J" hooks.
5. On operable panel, pull tabs upward approximately 90 degrees with pliers. (Fig. 3)
6. Install the three safety chains on the operable panel. Two will attach to the upright tabs and one will attach to the panel. (Fig. 4 & 5)
7. Install operable panel by inserting safety chains into corresponding holes on the frame. (Fig. 4 & 5). Align pins on operable door (near the tabs) into corresponding holes on the stationary door.
8. Close door by pushing up at the two corners until they click securely into the touch latch. Do not try to force panel shut as this should be a smooth action requiring very little force. Panel should sit flush within the frame.



FIG. 2



FIG. 3



FIG. 4



FIG. 5



JL INDUSTRIES



MAXAM
METAL PRODUCTS

9702 Newton Ave S. Bloomington, MN 55431 | Many Locations Across North America
CANADA ONLY: 604-433-4243 info@maxammetal.com maxammetal.com

800-554-6077

sales@activarcpg.com

www.activarcpg.com

Installation &
Maintenance Guide |
14I-207

REV B | FEB 2024

ACCESS PANEL - CAP

INSTALLATION & MAINTENANCE GUIDE | 14I-207

OPERATION:

Push evenly on the outside corners of the operable panel at the same time to release the door. Carefully release the chain on the latch side to open the door for standard operations.

To remove both doors: Open the operable door first by pushing upward on the door in the corners to activate the touch latches. When door is released, lower until you clear the frame. Slowly move door past the frame until the other end becomes free. The safety chains will hold the panel in place until you unhook the carabiners and remove the operable door. Now you can remove the stationary door, which does not have safety chains and may require two people. Carefully push upward and slide all the way to one side and lower to remove.

The center bar can be removed, if needed, using Phillips head #2 screwdriver.

To close the door, reattach chain(s) and align pins on operable door (near the tabs) into corresponding holes on the stationary door. Push panel up at the corners until they click securely into the touch latch. Do not try to force door panel shut as this should be a smooth action requiring very little force.



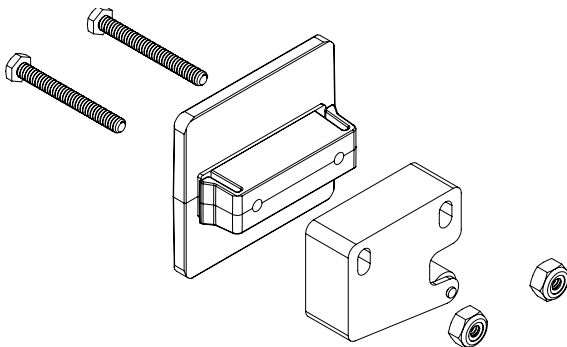
Touch Latch Assembly

MAINTENANCE:

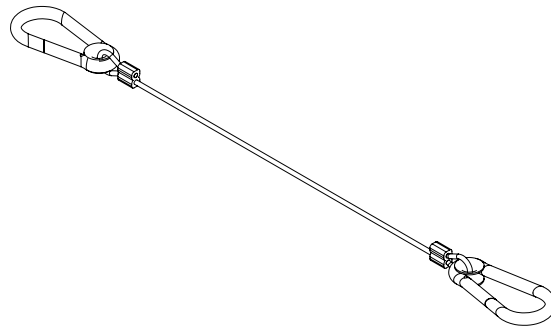
Manually operate once a year to check functionality of moving parts. Periodically clean off dirt using a clean, dry cloth.

REPLACEMENT PARTS:

- Touch Latch Kit: AP-KIT-TOUHLATCH
- Safety Chain Kit: AP-KIT-SAFETYCHAIN



AP-KIT-TOUHLATCH



AP-KIT-SAFETYCHAIN