

# ACCESS PANEL - NON-RATED | RECESSED DOOR & FLANGE INSTALLATION & MAINTENANCE GUIDE | 14I-211

## GENERAL:

The following installation & maintenance guide applies to the Maxam® non-rated access panels with recessed flange and/or panel. Series: NAT, NAP, NDI

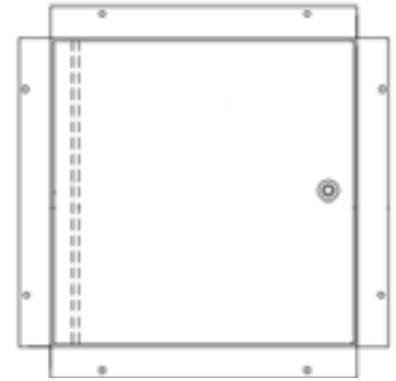
Local codes and/or Authority having jurisdiction should be followed.

**Note:** Wall or ceiling is framed into the size of the door being ordered. We undersize our doors by 1/4" (6mm). **\*DO NOT UNDERSIZE YOUR FRAMING**

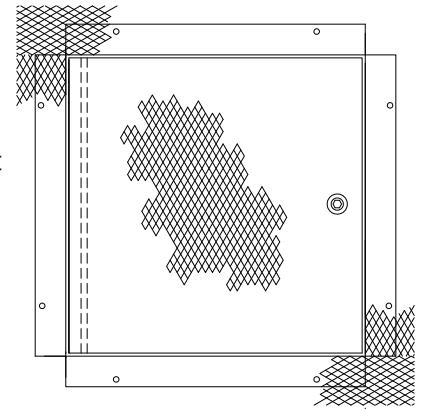
**"T"** DIMENSION = DEPTH OF RECESSED MATERIAL (See FIG. A)

## INSTALLATION:

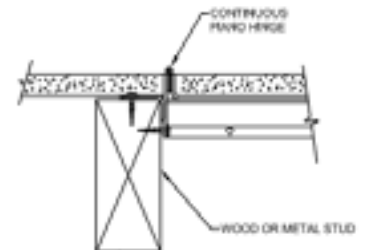
1. Insert the door frame into the opening. Taping flanges should seat firmly against the surface
2. Secure along the hinge side first taking care to square the door panel up. This can be done with the door panel in the closed position and drywall/plaster screws driven through the beaded flange. The door panel should be installed square with the door frame on all sides.
3. Once squared up, fasten through holes provided in frame.  
Note: Do not over torque fasteners to avoid twisting/ distorting the frame.
4. Fasten through the holes in the beaded flange as needed to keep them flat and smooth.
5. Operate door a few times to check that no fasteners or other items interfere with it's function and that the taping bead stays flat.
6. Apply finishing compound, tape or plaster as per your normal finishing techniques.
7. Install the finishing panel into door.
  - a.) For acoustical tile or drywall: Cut material insert to the dimensions of the door panel. Mark location of latch and provide a cut out. Using shims and appropriate adhesive, make insert level with the top edge of the door panel.
  - b.) For Plaster: Apply smooth layers of plaster over the plaster lath, keeping opening for latch clear.
8. Check panel again for freedom of movement and ability to use latches. Check that no fasteners or other items interfere with it's function.



Recessed NAT Flange  
See Detail on  
Pg 2 - FIG. A



Recessed NAP Flange  
See Detail on  
Pg 2 - FIG. B



Optional Piano Hinge Detail



**MAXAM  
METAL PRODUCTS**

Unit #5 7978 North Fraser Way, Burnaby, BC V5J 0C7

604-433-4243

info@maxammetal.com

www.maxammetal.com

Installation & Maintenance Guide | 14I-211

REV A | FEB 2024

# ACCESS PANEL - NON-RATED | RECESSED DOOR & FLANGE INSTALLATION & MAINTENANCE GUIDE | 14I-211

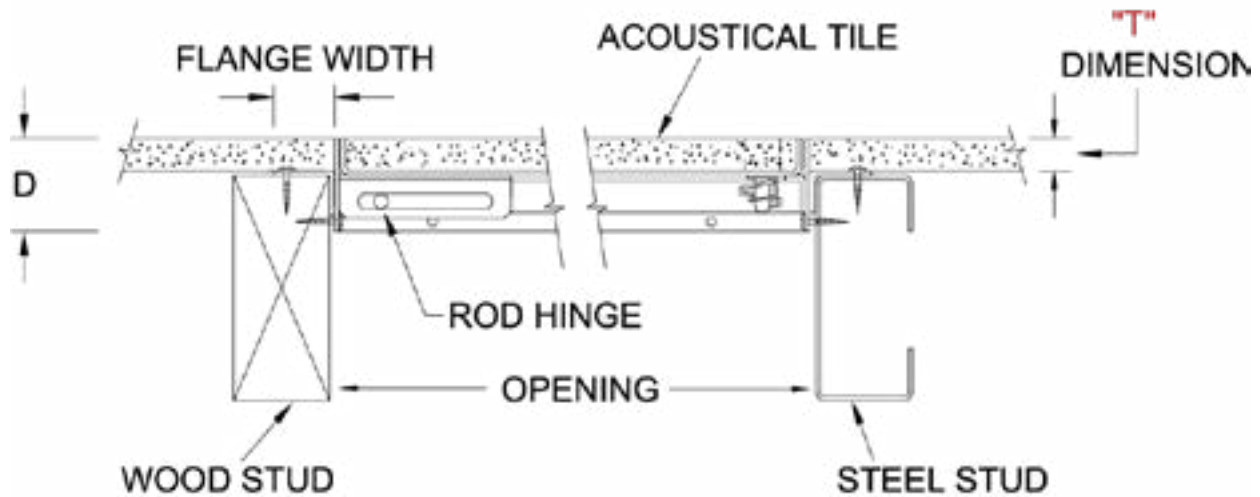


FIG. A - NAT

"T" Dimension = Depth of Recessed Door/Infill Panel

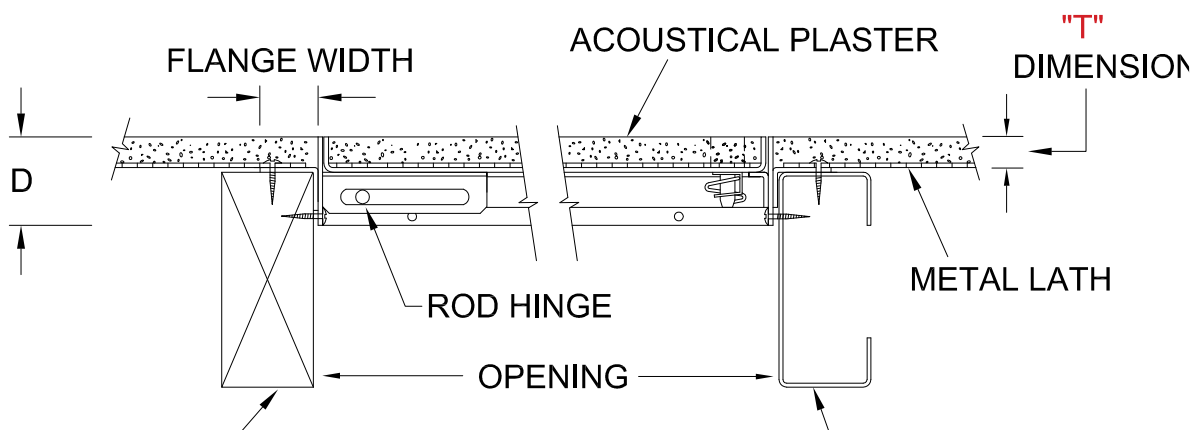


FIG. B - NAP

"T" Dimension = Depth of Recessed Door/Infill Panel

## OPERATION:

When models are correctly installed, the door will open to 90°.

## MAINTENANCE:

Our access panels are designed to be maintenance free. However, it is recommended that the outer surface of the panel, and the hinge area, be kept clear from debris and dirt, to ensure correct operation of the hinged door. If latches, locks or hinges need to be lubricated, use a "3 in 1" type light oil, removing excess with a cloth. To clean painted surfaces, use a soft cloth and mild soap and water.