



MAXAM

# CAP SERIES TOUCH LATCH CEILING ACCESS PANEL

*A Unique Door that Provides Easy Access to Large  
Equipment in Non-Fire-Rated Ceilings*



## **CAP Access Panel Benefits:**

- Fully Concealed latch
- Simple and Clean Lines
- Flush Frame and Door When Closed
- Removable Doors For Easy Access to the Space Above
- Prime-Coated for Field Painting



## **The CAP Door is Designed Specifically for Use in Ceiling Applications**

- Double leaf models have one operable door with safety cable allows quick and easy access.
- Doors are removable to allow access to large mechanical and HVAC components.
- Patent-pending touch latch mounting block securely aligns the door flush with the frame.
- Lightweight formed doors provide stability for the largest sizes.
- Single leaf models available.

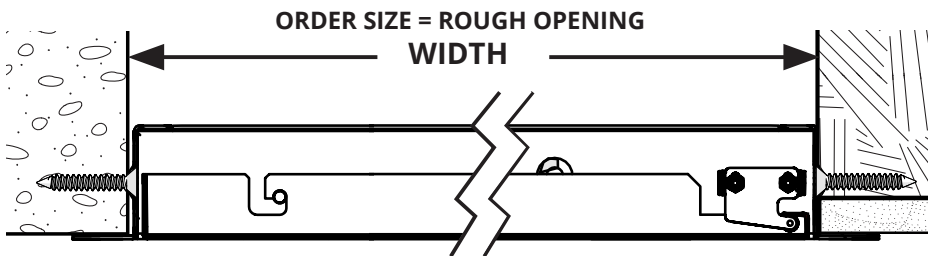
# CAP SERIES TOUCH LATCH CEILING ACCESS PANEL



MAXAM

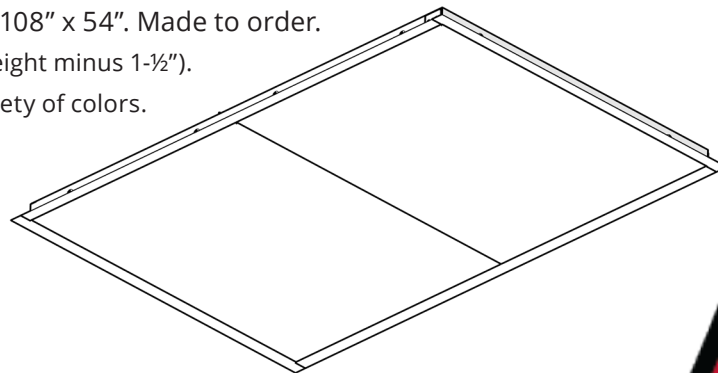
## How Does the CAP Access Door Compare to Other Ceiling Panels?

- The CAP access panel offers the largest sizes in the industry.
- 20 gauge formed doors are lighter than models with 16 gauge doors or drywall inserts.
- The CAP formed door has more stability than panels with flat steel doors, which may torque or sag.
- One inch flange covers rough opening edges.



## PRODUCT SPECIFICATIONS:

- **Frame Material:** 18 gauge galvalneal steel.
- **Door Panel Material:** 20 gauge galvalnealed steel.
- **Standard Finish:** Off-white prime coat.
- **Flange:** 1" wide exposed flange.
- **Sizes:** Minimum 18" x 18", Maximum 108" x 54". Made to order.
- **Clear Opening:** (Width minus 1-1/2") x (Height minus 1-1/2").
- **Optional Finishes:** Powder coat in a variety of colors.



See Our Website and Submittal for Product Details and Order Information



ACTIVAR CONSTRUCTION PRODUCTS GROUP INC.

For more info: [activarcpg.com](http://activarcpg.com) | 1-800-554-6077 | [sales@activarcpg.com](mailto:sales@activarcpg.com)  
CANADA ONLY: [maxammetal.com](http://maxammetal.com) | 604-433-4243 | [info@maxammetal.com](mailto:info@maxammetal.com)  
©2024 Activar Construction Products Group, Inc. 5/23/2024