

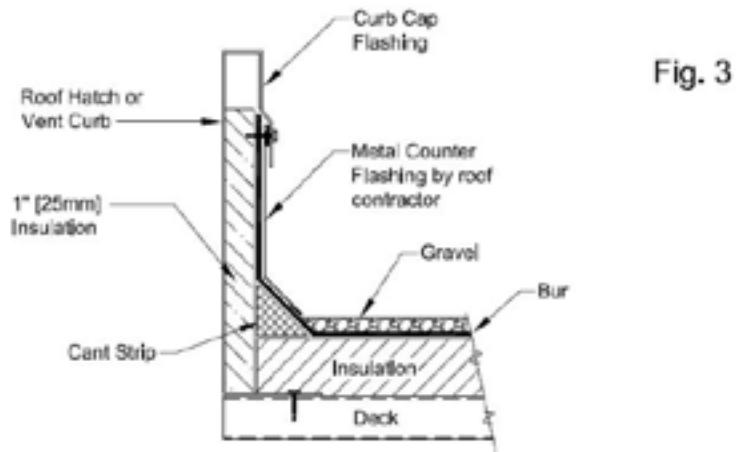
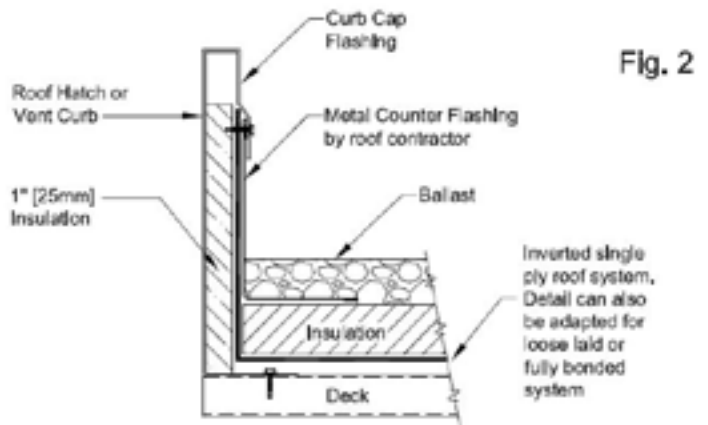
# ROOF HATCH— RHS RHA AND RSA SERIES

## INSTALLATION & MAINTENANCE GUIDE | 14I-416

a.) **For single ply roofing:** Apply adhesive and fold over 4" to 6" of the top edge of the membrane and insert it under the roof hatch counter flashing. Complete all sides. With a screwdriver and hammer bend the MAX-CLIP tabs inward to hold membrane in place. See Fig. 2

b.) **For built-up roofing:** Install a cant block around the curb. Run roofing plies to the top of the cant and cut off. Apply two layers of No. 15 felt on the curb under the flashing, extending beyond the outside base of the cant block. Secure the felts with alternate troweled coat of finishing cement. DO NOT BEND MAX-CLIP INWARD. See Fig 3.

5. Roof hatches come with a grey oxide factory prime coat and should receive a finish top coat.



### OPERATION:

**Caution:** Make sure to consider weather conditions prior to using the roof hatch. Use caution at all times, especially when hatch cover is open. Larger hatches, especially over 72 inches in length, may need two people to ensure proper closure.

- **Opening from below:** Turn slam latch handle and, with one hand, raise cover to full open position while maintaining three points of contact with the ladder.
- **Closing from below:** With door open fully open, descend ladder or stair to a position where your head is at the curb level. With one hand, grasp the red vinyl grip handle on the hold open arm and pull forward to disengage. Then, grasp the pull handle to fully close the cover, making sure slam latch engages the catch.
- **Opening from above:** Rotate the exterior L turn handle and raise cover to full open position.

**Closing from above:** Grasp red vinyl grip of the hold open arm and pull to disengage, then push on the handle or edge of the cover to fully close and latch door.

### MAINTENANCE & CLEANING:

Manually operate once a year to check functionality of moving parts such as latches, hinges and turn handles. Test outside and inside manual operation of latches. Rotate exterior handle from exterior to release slam latch and open door. From inside, rotate the slam latch lever. Adjust (if required) latch keepers to insure full secure latching in closed position.

Gaskets can be cleaned with a clean, damp, lint-free cloth. Do not apply mineral oils, vinyl dressings, or other lubricants to the gasket as they can cause the gasket to break down over time.