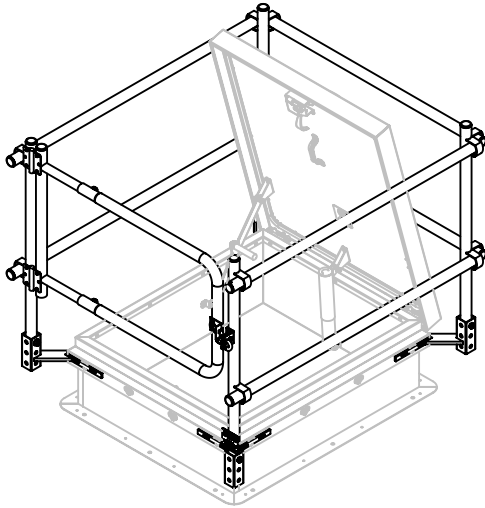
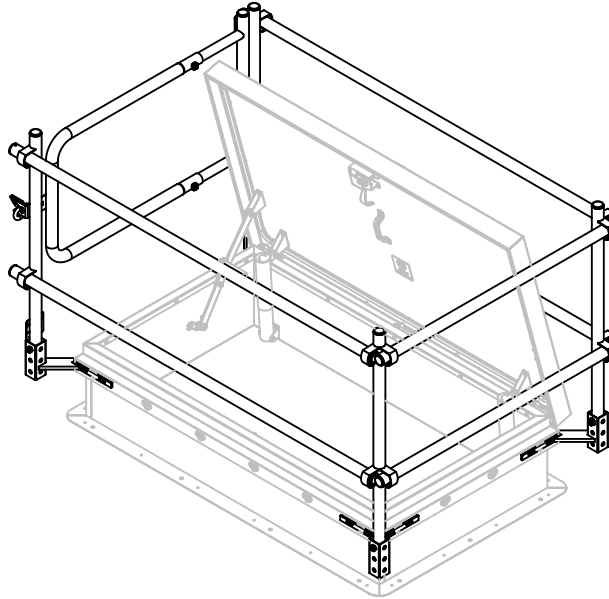


ROOF ACCESSORIES - SAFETY RAILING, BOLT-ON SERIES - RSHWB

The OSHA compliant bolt-on series safety railing is ideal for new roof hatch installations. It's designed to bolt on the curb counterflashing and does not penetrate the curb protecting the integrity of the roof membrane. In addition, the overall height is adjustable to ensure code compliance.



RAILING WITH GATE EXIT ON LENGTH
Typical for Ladder Access Hatches



RAILING WITH GATE EXIT ON WIDTH
Typical for Stair Access Hatches

SPECIFICATIONS:

- Material:** 1-5/8" x .065" (16 gauge) galvanized steel tubing
- Bracket Material:** 2" x 2" x.120" square galvanized steel tubing, 1/4" and 1/2" plate cold rolled steel
- Finish:** Yellow powder coat
- Hinges:** Steel, adjustable spring hinges
- Gate:** Self-closing, self-latching with telescoping size adjustment
- Latch:** Steel, black powder coat pin hooks around gravity latch catch
- Hardware:** Black plastic tubing caps and zinc-plated steel hardware
- Sizing:** Based on roof hatch size W x L, where L is hinged side

Minimum: 24" x 24"
Maximum: 48" x 120"

Performance: 200LBS with max 3" deflection per OSHA 1910.29, ANSI 1264.4, 50 PLF (pounds per linear foot) per 2024 IBC 1607.9 (ASCE 7)

NOTES: Install the corner posts in one of the three vertical bolt holes so the top rail is 42" above the walking surface, as required by OSHA 1910.29(b)(1) and 2024 IBC 1015.3

MADE-TO-ORDER SAFETY RAILING, BOLT-ON SERIES

EXAMPLE: RSHWB-4896WY

QTY	MODEL	WIDTH	LENGTH	EXIT
<input type="text"/>	RSHWB	<input type="text"/>	<input type="text"/>	W (Gate On Width) Y (Yellow)
				L (Gate on Length)

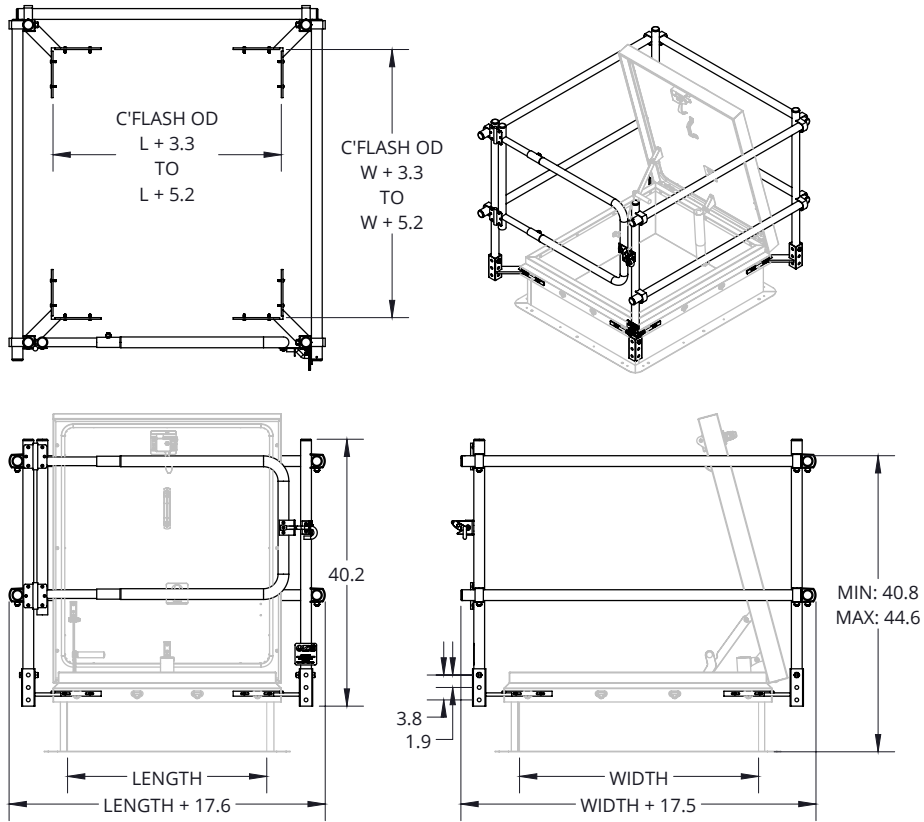
COMMON SIZES SAFETY RAILING, BOLT-ON SERIES

QTY	MODEL	W X L	GATE EXIT	WEIGHT
	RSHWB-1LY	36"x 30"	Length	74
	RSHWB-2WY	30"x 54"	Width	81
	RSHWB-3WY	30"x 96"	Width	107
	RSHWB-4LY	36"x 36"	Length	77
	RSHWB-5LY	48"x 48"	Length	84
	RSHWB-6WY	32"x 72"	Width	92
	RSHWB-7LY	37"x 30"	Length	75

	800-554-6077	Distributor:		Project:	
	sales@activarcpg.com	Contractor:		Approved By:	
	www.activarcpg.com	Date:		Architect:	
CANADA ONLY: 604-433-4243 info@maxammetal.com maxammetal.com		Scale: N/A	Pages: 1 of 2	Item#:	

© 2024 Activar Construction Products Group, Inc. THE INFORMATION CONTAINED IN THIS DRAWING IS THE SOLE PROPERTY OF ACTIVAR CONSTRUCTION PRODUCTS GROUP, INC. ANY REPRODUCTION IN PART OR AS A WHOLE WITHOUT WRITTEN PERMISSION IS PROHIBITED. 8-6-2024

SAFETY RAILING WITH GATE EXIT ON LENGTH



SAFETY RAILING WITH GATE EXIT ON WIDTH

