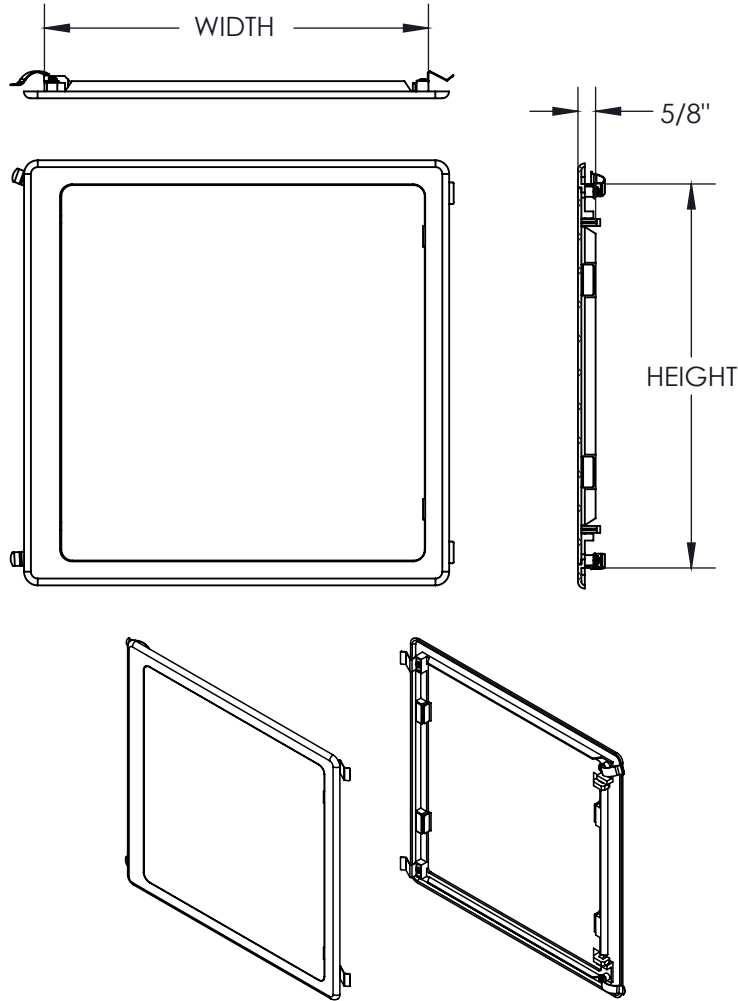


## NON-RATED ACCESS PANELS - PAD SERIES: PLASTIC ACCESS DOOR

The PAD door is corrosion resistant and made out of high impact plastic. The door is both hinged and removable for unobstructed access; it is held closed by friction snap latches. The door has a tapered frame that can easily be installed by press fit into an opening cut to size by applying caulking adhesive to the back of the frame and pressing into place. Ideal for wet applications and areas where easy access is needed.



### SPECIFICATIONS:

**Frame Material:** 1/8" (3 mm) high impact styrene with UV stabilizers

**Door Panel Material:** 1/8" (3 mm) high impact styrene with UV stabilizers

**Standard Finish:** White textured

**Hinge:** Plastic styrene pivot hinge

**Latch:** Plastic styrene friction snap latches

### Sizes:

**Minimum:** 4" x 6" (102 mm x 152 mm)

**Maximum:** 22" x 22" (559 mm x 559 mm)

### COMMON SIZES

QTY	Order Size		Approx. Weight	
	W X H (Rough Opening)		kg	lbs
	inches	mm		
	4 x 6	102 x 152	0.25	0.5
	6 x 9	152 x 229	0.25	0.5
	8 x 8	203 x 203	0.25	0.5
	12 x 12	305 x 305	0.25	0.5
	14 x 14	356 x 356	0.33	0.8
	18 x 18	457 x 457	1.36	3
	22 x 22	559 x 559	2.27	5

It is the responsibility of the customer to communicate specifications and product performance requirements that are needed for their application. This document is intended to convey potential product configurations and offerings. It is not to be used to imply or represent a specification or rating, of finished products shipped. Detailed, specific submittals can be created upon request. It is the responsibility of the customer to specify product accordingly to comply with local laws, codes, and ordinances.



**MAXAM  
METAL PRODUCTS**

604-433-4243

info@maxammetal.com

www.maxammetal.com

Distributor:

Contractor:

Date:

Scale: N/A

Page 1 of 1

Project:

Approved By:

Architect:

Item#:

CANADA ONLY: 604-433-4243 info@maxammetal.com maxammetal.com